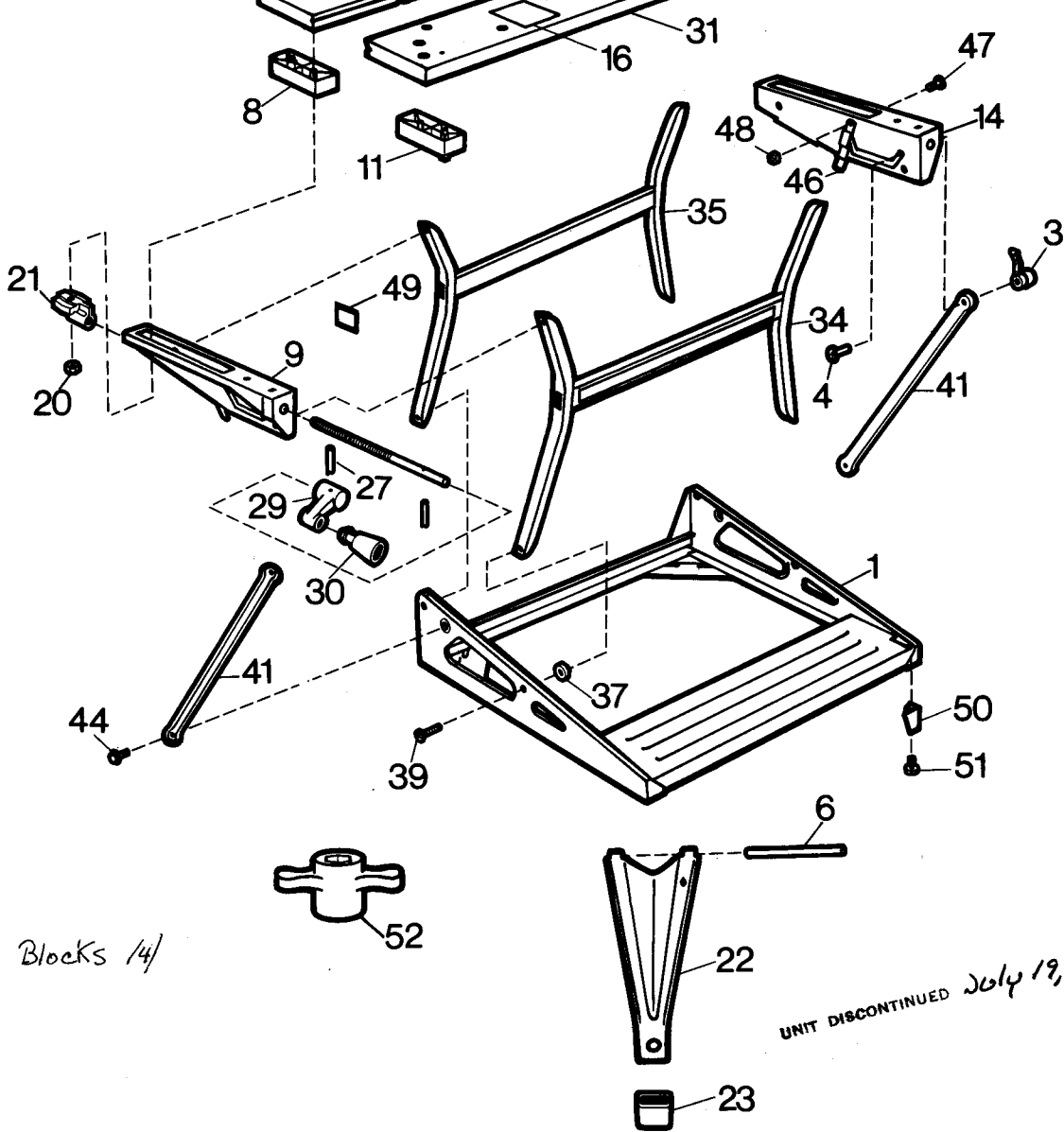


**OBSOLETE**  
PARTS MAY NOT BE AVAILABLE



\*8, 11 978965-02 Blocks 1/4

UNIT DISCONTINUED July 19, 1982

Item No.	Part No.	Description	Qty.	Item No.	Part No.	Description	Qty.
1	977967-04	Base Frame <del>976689-09</del>	1	30	134387-00	Snap-in-Handle 820728	2
3	978957-00	Button	2	31	234933-00	Vise Jaw (Incl. 16)	2
4	978955-00	Stud	2	34	135150-00	H-Frame & Label	1
6	975188-00	Axle	4	35	976009-01	H-Frame	1
*8	978958-00	Front Top Block	2	37	975365-00	Cup Washer	8
9	978961-05	Vise Support L.H.	1	39	975153-00	Shoulder Screw	8
*11	978958-01	Rear Top Block	2	41	978959-01	Side Stay	2
14	978961-04	Vise Support R.H.	1	44	975457-01	10-32 Self-Tap Shoulder	2
16	976066	Caution Label	1			Screw	2
19	978951-00	Bolt	4	45	135693-00	Swivel Grip 825011-00	4
20	978970-00	Nut	2	46	978956-04	Latch	2
21	134384-00	Pivot Nut	2	47	99248-06	8-32 x 3/8 Screw	2
22	977996-01	Leg	4	48	407-00	8-32 Nut	2
23	975959-00	Slip-on-Foot	4	49	Eq-029	Nameplate	1
27	976029-00	Roll Pin	4	50	977662-00	Corner Foot	4
28	134385-00	Vise Screw	2	51	99251-08	5/16-18 Screw	4
29	434386-00	Handle Arm 943147-00	2	52	978950-00	Wrench	1

**IMPORTANT!**—To assure product SAFETY and RELIABILITY, repairs, maintenance and adjustment should be performed by BLACK & DECKER Service Centers or other qualified service organizations, always using BLACK & DECKER replacement parts.

**WHEN ORDERING REPLACEMENT PARTS YOU MUST GIVE UNIT, TYPE AND CATALOG NUMBER AS SHOWN ON NAME-PLATE, PLUS PART NUMBER AND NAME OF PART NEEDED.**

**DELUXE DUAL HEIGHT WORKMATE**

Cat. No. 79-001 Type 9

Black & Decker (U.S.) Inc.  
Towson, Maryland 21204

Printed in U.S.A. Bulletin No. 9504

COPYRIGHT© 2005. All Rights Reserved.

Parts list, pricing, and availability subject to change. Please visit [www.dewaltservicenet.com](http://www.dewaltservicenet.com) for current parts information.