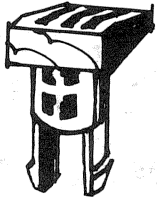


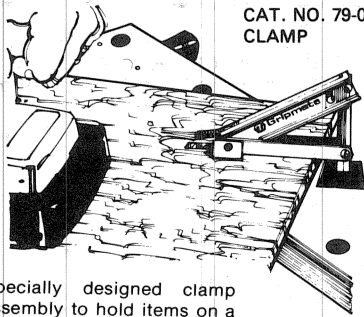
WORKMATE® ACCESSORIES

CAT. NO. 79-010
SWIVEL GRIP

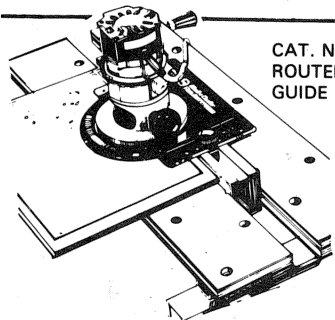


Packaged in Pairs
Ideal for holding large and irregular shaped objects.

CAT. NO. 79-016
CLAMP

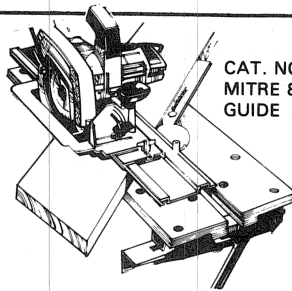


Specially designed clamp assembly to hold items on a work surface for gluing, routing, sanding, sawing, etc.



CAT. NO. 79-013
ROUTER & SHAPE GUIDE

Professional Router cuts made easy. Holds Black & Decker and other popular routers securely on Workmate table top. Gives solid "hands off" support for all types of router cuts.



CAT. NO. 79-012
MITRE & SAW GUIDE

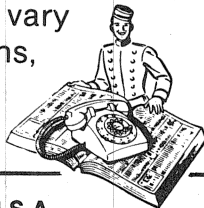
Clamps into Workmate vise to hold material down securely for accurate mitre and compound mitre cuts, accepts most popular makes of 7 1/4" Circular Saws and is ideal for cutting rafters, floor joist, studs, window, baseboard and decorative trim.

HOME USE WARRANTY

(A Full One Year Warranty)

Black & Decker warrants this product for one year. We will repair, without charge, any defects due to faulty material or workmanship or at our option replace the product free. Please return the complete unit, transportation prepaid, to any Black & Decker Service Center or Authorized Service Station listed under "Tools Electric" in the yellow pages. This warranty does not apply to accessories. This warranty gives you specific legal rights and you may have other rights which vary from state to state. Should you have any questions, contact your nearest Black & Decker Service Center Manager.

See 'Tools-Electric'
—Yellow Pages—
for Service & Sales



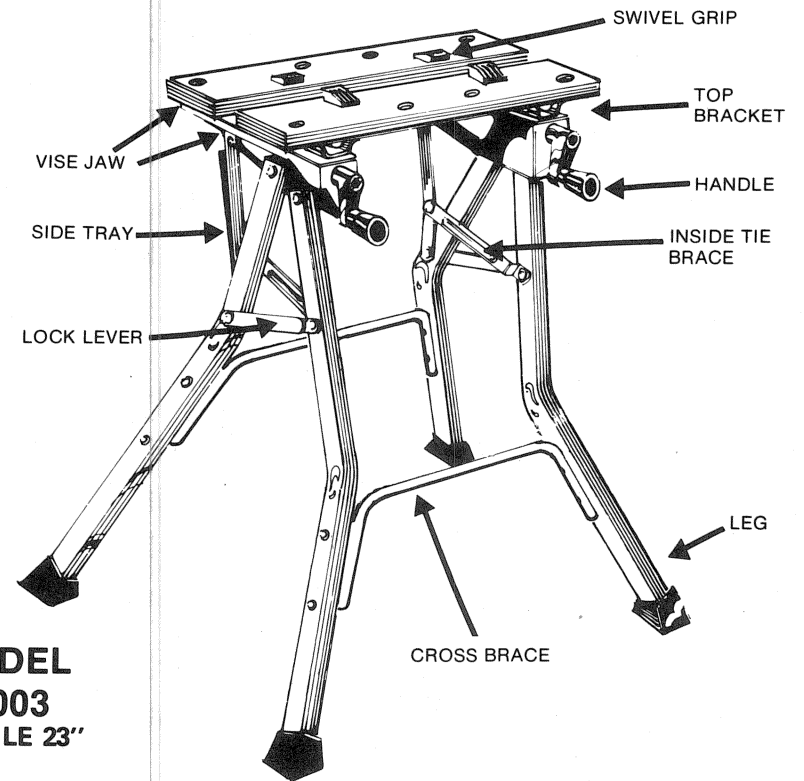
The Black & Decker MFG. Co. Towson, Maryland 21204 U.S.A.



Workmate.

OWNERS MANUAL

PORTABLE WORK CENTER AND VISE



MODEL 79-003 SINGLE 23"

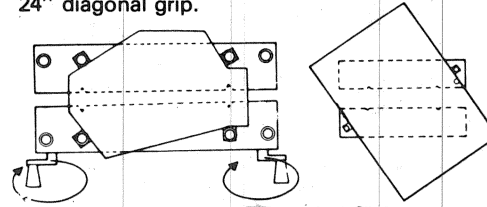
1. Do not apply weight in excess of 350 pounds.
2. Not to be used as a ladder or standing platform.
3. Support all overhanging loads.
4. Read the rules for safe operation carefully.

WORKMATE® PORTABLE WORK CENTER & VISE HOLDING IRREGULAR SHAPES

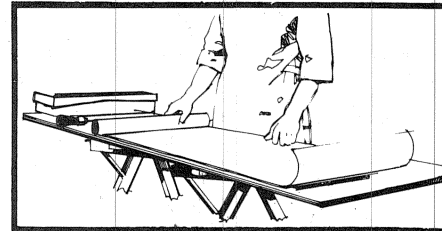
Using the swivel grips in the appropriate holes and the independent action of the vise handle, the Work Center can secure the most irregular shapes.

Lets you grip objects that used to be impossible to hold.

Rotate swivel grip to accept irregular shape. Outside swivel grips extend vise capacity for a 24" diagonal grip.

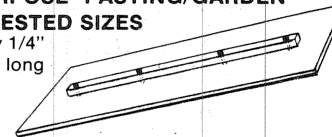


1. When the project calls for extra work space, you can shape up the perfect work table by attaching "block" to the underside of a sheet of plywood. Makes an extra long table surface for any work or play occasion. Care should be taken to centre plywood.



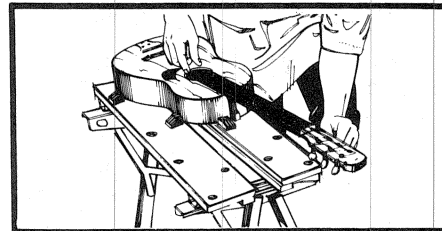
GENERAL PURPOSE PASTING/GARDEN TABLE—SUGGESTED SIZES

- 2' x 6' Plywood by 1/4"
- 2" x 4" Stud x 30" long
- 4 bolts 5" long

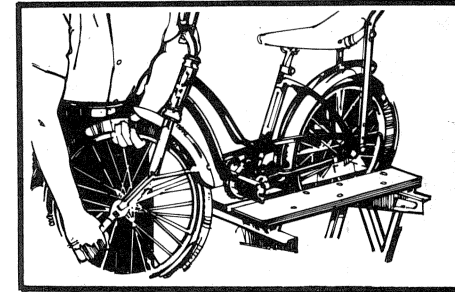


CAUTION:

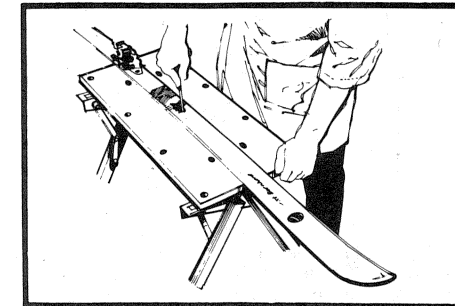
1. Do not use nails or screws, use bolts.
2. Centre pasting board over table working surface.



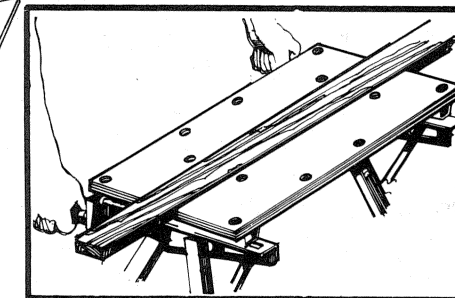
2. The job gets done right the first time, and with less frustration, when the swivel grips get a hold on the problem.



3. Got a bike that needs attention? The Work Center can make the job easier by giving you an extra pair of hands when you really need them.



4. It's hard to find a shape that can't be held secure and the object is always at the proper height to work on.



5. Because each end of the vise jaws work independently of each other, it's possible to grasp tapered objects.

CAUTION:

SUPPORT OVERHANGING LOADS TO PREVENT TIPPING

USING POWER EQUIPMENT

Construct individual mounting blocks for your different power tools to save workbench area in your workshop while making your power equipment completely portable.

CAUTION:

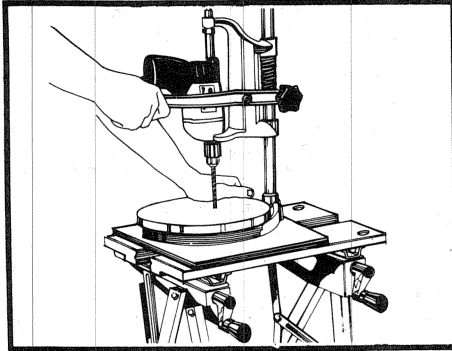
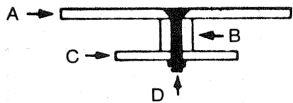
1. Securely mount tool accessories to mounting board with screws or bolts.
2. For safety, it is recommended that you always wear safety glasses when using electrical tools with the Workmate.

POWER TOOL MOUNTING BOARD

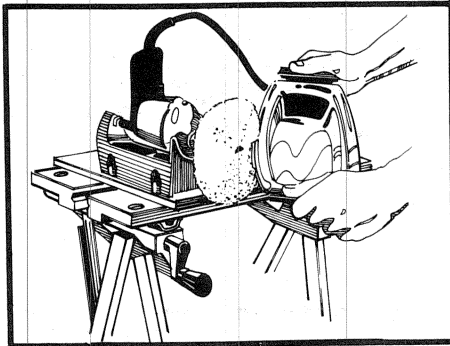
1. Attachments such as the Black & Decker Vertical Drill Stand, the Horizontal Drill Stand may be screwed down to a suitable sized piece of plywood, to the underside of which is attached a block.

SUGGESTED SIZES

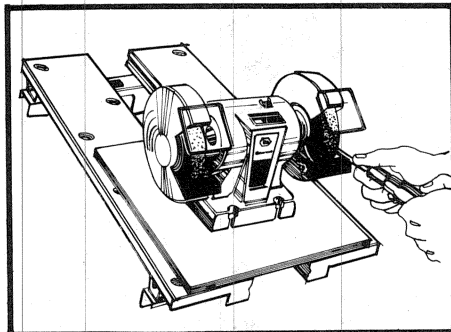
- A—Mounting Board 12" x 12" x 3/8".
- B—Vise Block 2" x 4" x 6".
- C—Retaining Board 3" x 3" x 1/4".
- D—Bolt 5".



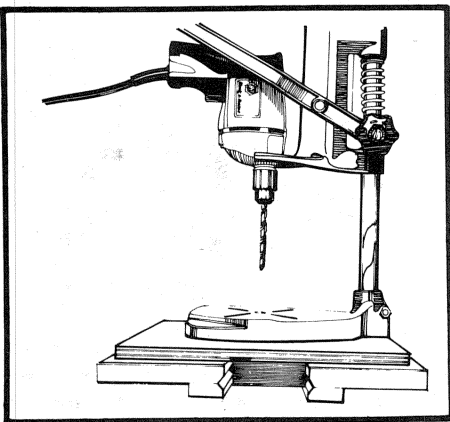
3. Your power drill and drill press can go along with you on any job—across town or into the next room.



4. You'll want to use all of your power accessories more often. Take buffing—it's easier and more convenient with the Work Center.



5. Add power equipment you never thought you had room for—grinding is secure with the Work Center as your workbench.



2. The block on the underside of the board is held in the jaws of the Work Center. The power unit is secure for use.

CONTENTS

	PAGES
#79-003 WORKMATE® — Description & Assembly Instructions	2 & 3
Opening & Closing Procedures	4 & 5
Working With Your WORKMATE® Work Center	6 & 7
Using Power Tools & Holding Irregular Shapes	8 & 9
Warranty	10

Your new WORKMATE® Work Center is a quality piece of equipment that has been carefully designed and manufactured to provide years of dependable service.

This Instruction Manual will familiarize you with the Work Center. It lists important facts and features which describe the Work Center's construction and basic operating techniques.

Set-up instructions and various usage situations are also provided. Read this manual carefully. Only by being totally aware of what the Work Center can do will you be able to put it to the numerous tasks it is capable of performing.

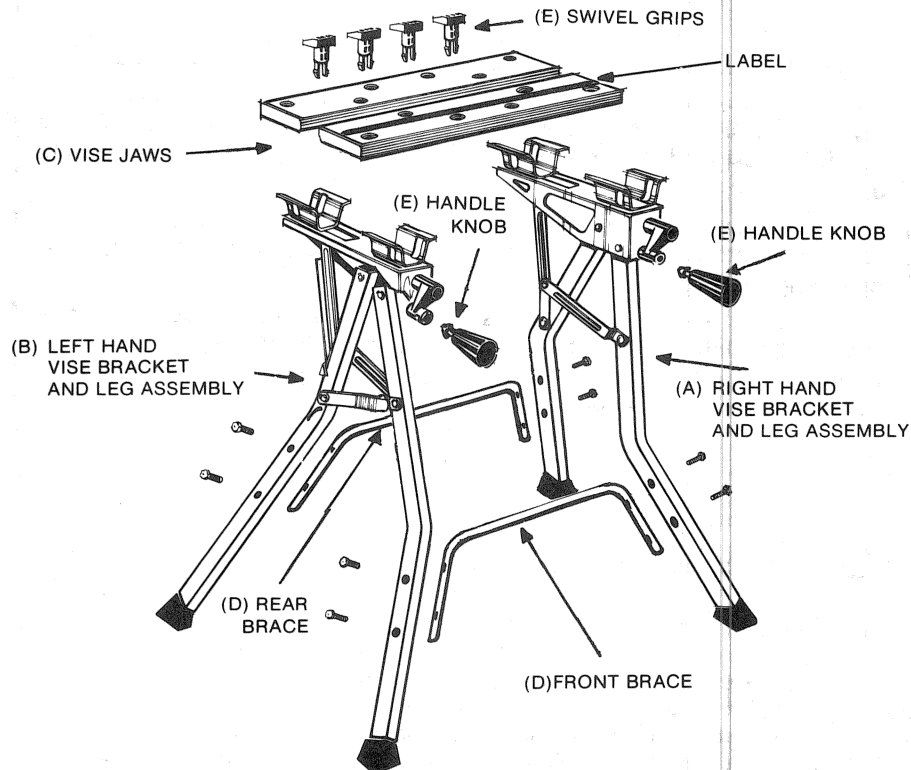
SAFETY RULES FOR MODEL #79-003

1. Do not load with more than 350 lbs.
2. Do not apply an unbalanced load which could cause the Work Center to tip.
3. Do not use Work Center as a stepladder or standing platform.
4. Do not store Work Center outdoors or in damp condition.
5. Avoid applying excessive force when clamping in only the lower half of the vise jaws Work Center. Never mount power tools directly in vise; pressure may damage tools.
6. Be sure that legs lock in the open position.
7. When using a power tool with the Work Center, follow the safety rules in the tool's instruction manual.
8. Wear safety glasses when using power tools.
9. See "Using Power Equipment" (page 8) for correct method of securing power tools in Workmate. Never mount power tools directly in vise; pressure may damage tools.
10. An even pressure of jaws on work piece is essential. Tighten both jaw handles uniformly.

MAINTENANCE TIPS:

1. If binding of vise jaw occurs, cleaning of slider and vise screw may be required.
2. Periodically . . . check the tightness of all assembly screws.

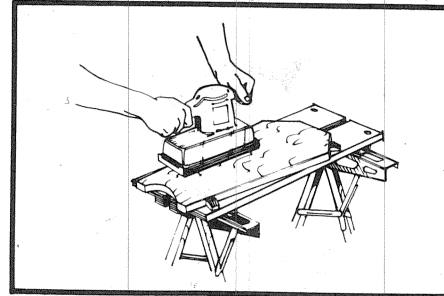
The #79-003 single height WORKMATE® Work Center comes to you partially assembled. Additional assembly is required. For this assembly you will require a 3/8" and 1/4" wrench. Below you will find an exploded diagram and list of components which you will find in your carton. Please check carefully the assembly instructions contained on Page 3 before proceeding with assembly.



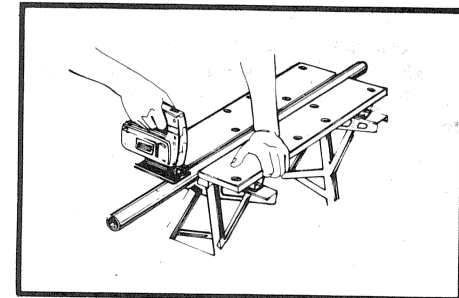
List of Components

The carton should contain the following components:

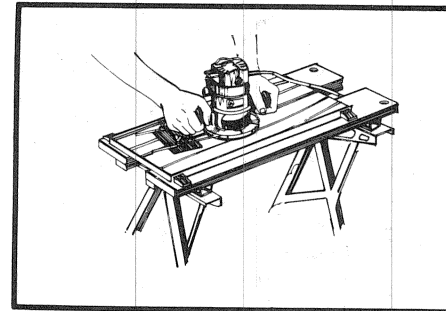
- (A) One (1) right hand Vise Bracket and Leg Assembly complete with—Vise Screws, Pivot Nut, Top Bracket, Rubber Feet.
- (B) One (1) left hand Vise Bracket and Leg Assembly complete with—Vise Screws, Pivot Nut, Top Bracket and Rubber Feet.
- (C) Two (2) Wood Vise Jaws—complete with 8 Mounting Studs.
- (D) Two (2) Tubular Metal Braces.
- (E) One (1) Plastic Bag containing:
 - 1. Two (2) Plastic Handle Knobs
 - 2. Four (4) Swivel Grips
 - 3. Eight (8) Mounting Screws
 - 4. Eight (8) Vise Jaw Mounting Nuts



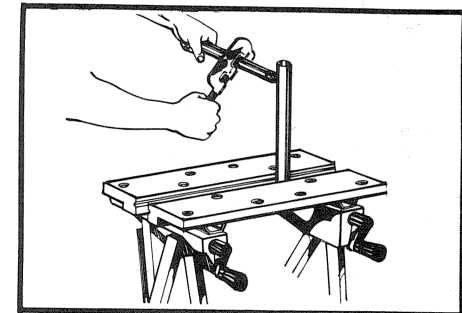
6. Power sand the most irregular shapes and use exactly the pressure that's needed.



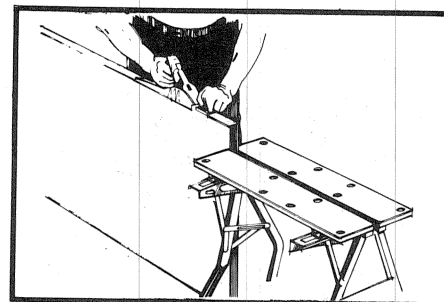
9. Sawing tubular pieces is easy when they are held horizontally in the specially designed V-grooves running along the face of the vise jaws.



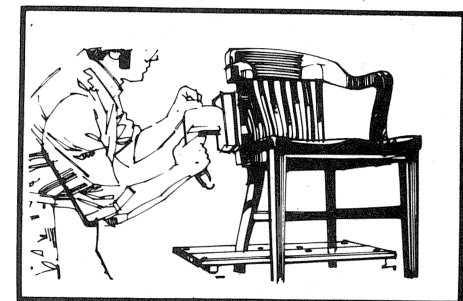
7. Special tasks won't mean special problems anymore. Routing can be easy and the results more professional.



10. Similarly, vertical V-grooves in the face of the vise jaws permit rigid vertical grasping of tubular objects.



8. Strength and stability to handle the largest and most awkward sizes and shapes.



11. The Work Center brings the job up to where you can reach and see it, conveniently, even hard-to-hold items.

CAUTION: SUPPORT OVERHANGING LOADS TO PREVENT TIPPING

WORKING WITH YOUR WORKMATE® PORTABLE WORK CENTER & VISE

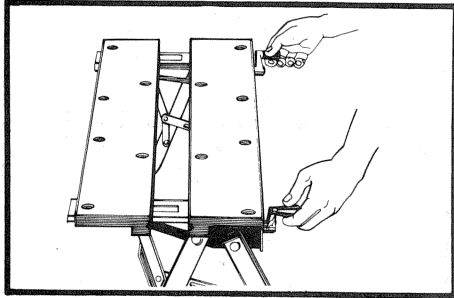
The Work Center is a vise, a sawhorse and an ideal bench. Its basic design and special features help you to perform a complete range of workshop tasks from the simplest to the most complicated.

The heart of the Work Center is in the action of the two parallel vise jaws.

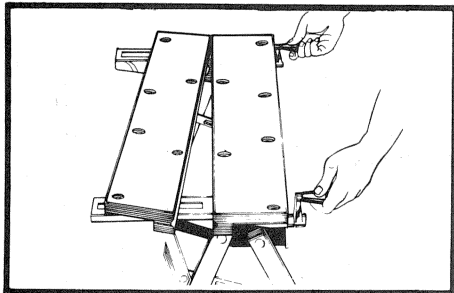
The two vise handles adjust the jaws to a maximum 5" jaw opening. Because each handle works independently, the opening can be tapered from 0" to 5" maximum.

Use of the swivel grips in the appropriate vise holes extend the vise capacity of the Workmate.

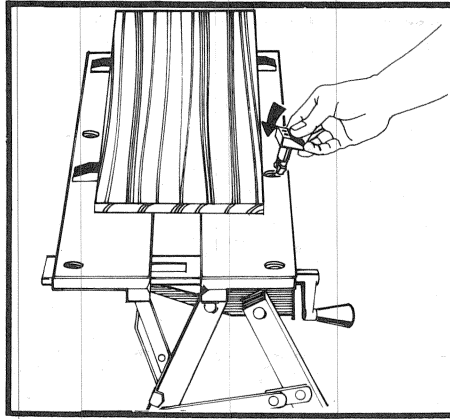
Note: From illustration 4 to 11. The user's hands are free to hold the tools properly and safely.



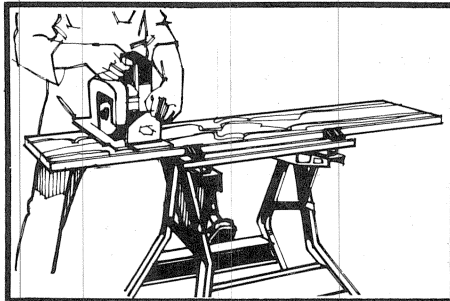
1. Adjusting the vise jaws with the vise handles.



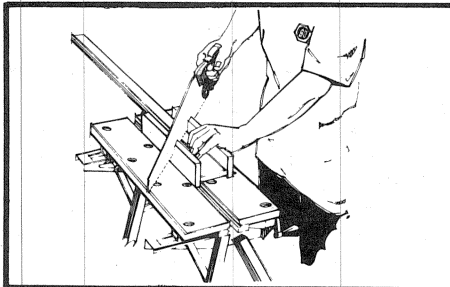
2. Tapering the vise opening using the independent vise handles.



3. Using the swivel grips extends the vise capacity to 12".



4. For holding material securely. (For added stability place foot on cross brace.)

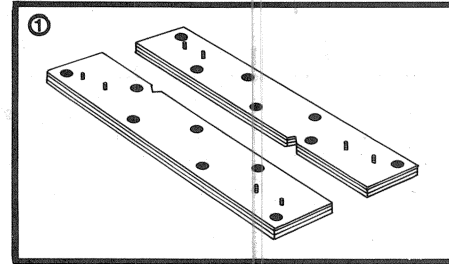


5. Holding a mitre box for more accurate angle cuts. Note: For added rigidity, exert your body weight on the Work Center's cross brace when sawing or performing other tasks.

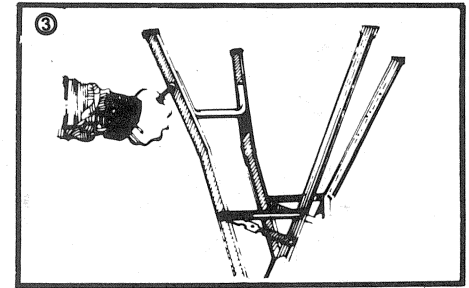
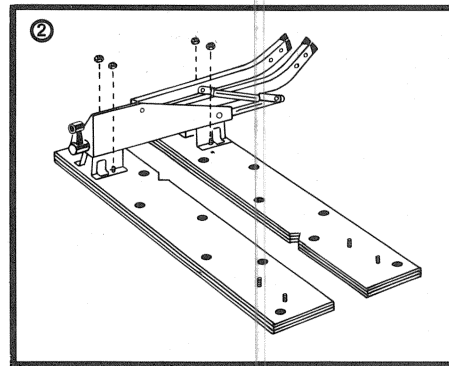
CAUTION: SUPPORT OVERHANGING LOADS TO PREVENT TIPPING

WORKMATE® PORTABLE WORK CENTER & VISE MODEL #79-003 ASSEMBLY

To assemble your WORK CENTER, lay the two top boards face down on the floor or other large flat surface. Make sure that the "V" shaped grooves in the boards face each other and that the threaded studs are pointing up as shown in figure 1.

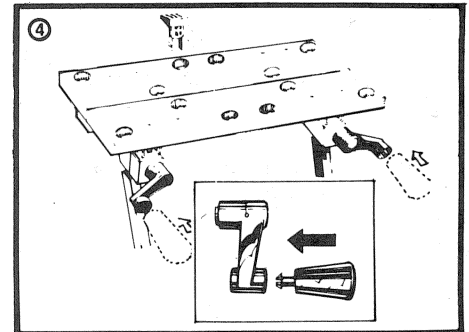


Assemble the two Leg Assemblies to the boards as shown in figure 2 being careful to align the holes with the threaded studs in the boards. Note that the lower parts of the leg assemblies flare outward from the WORK CENTER, not inward. Run the four nuts down, by hand, each side (eight nuts total).



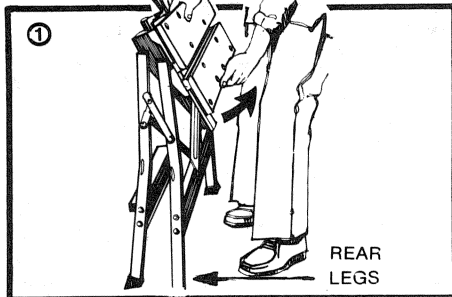
NOTE: Remove the two yellow caps on the ends of the tubular cross braces before assembling.

Place one cross brace between the front leg assemblies. Line up mounting holes in the leg and fasten with mounting screws. Do not fully tighten screws at this point. Repeat this procedure for the back brace. Set unit on its beel and **TIGHTEN SECURELY** all 8 crossbrace screws. Now tighten 8 vise jaw mounting nuts securely.

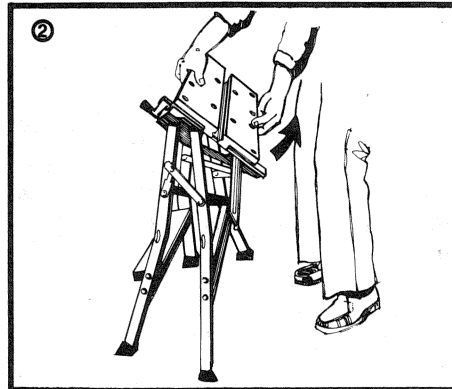


Snap handle knobs into handle arms on the vise bracket (see inset). Insert swivel grips into holes on vise jaws and you are now ready to use your new Work Center. See next page for set up instructions.

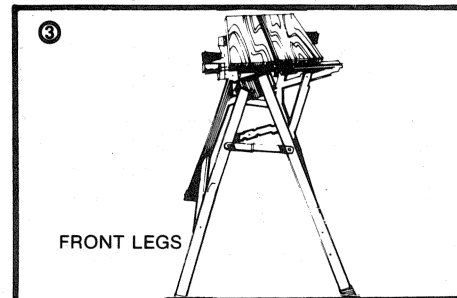
OPENING YOUR WORKMATE® PORTABLE WORK CENTER & VISE



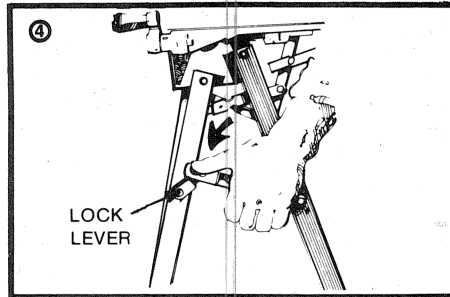
Set the Work Center down on its two rear feet and angle the top towards the user. Place one hand on the top edge of the vise jaw and the other hand on the bottom. Hold with the top hand and pull up with the bottom hand.



Continue opening until the unit will not open any further. Rock the Work Center over to the front feet and continue opening again until unit will not open any further.

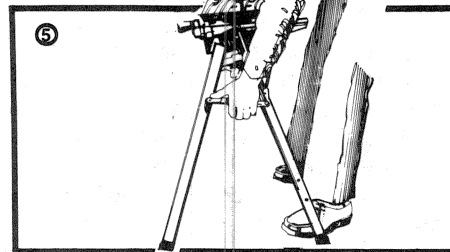


Stand the Work Center on all four feet as shown.



Grasp the long portion of the lock lever and apply thumb pressure to the top of the lever as shown. This should be done simultaneously for both left and right levers.

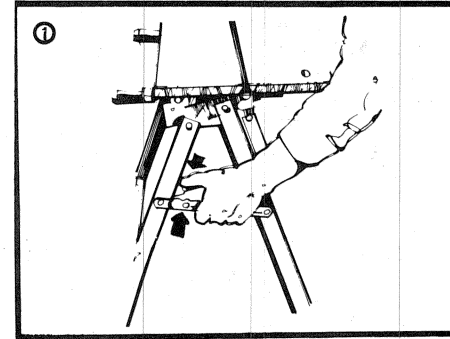
CAUTION: Fingers may be pinched if other than illustrated hand position is used.



Using the lock levers, lift the rear feet of the unit slightly and at the same time rotate the levers into the locked position. Check that the lock levers have both snapped into the locked position.

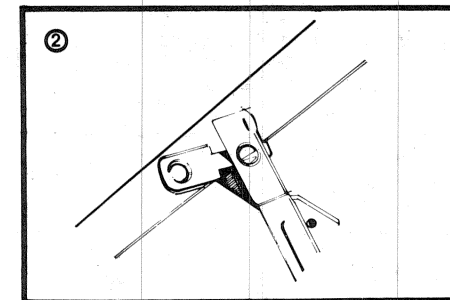
CAUTION: Check that all lock levers are locked and all screws are tight. The Workmate is now ready to use.

CLOSING YOUR WORKMATE® PORTABLE WORK CENTER & VISE

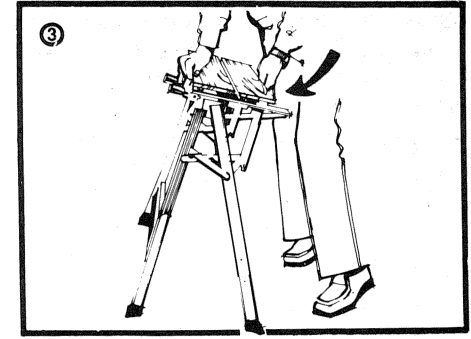


Approach the Work Center from the rear. Grasp the Lock Levers with the fingers and apply thumb pressure to the inside tie brace. This should be done simultaneously for both the left and right levers.

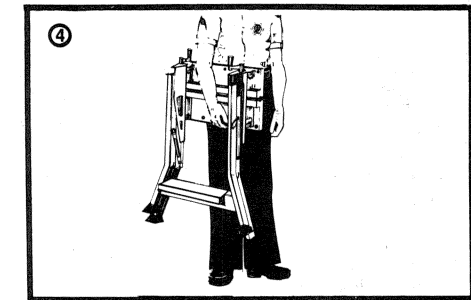
CAUTION: Fingers may be pinched if other than illustrated hand position is used.



Continue to apply pressure between the fingers and thumb of each hand until the lock brace moves out of the locked position. Continue to move the assembly out of the locked position until the short stub of the lock lever has reached the position shown above.



Grasp front of jaw assembly with one hand and the rear of the jaw assembly with the other hand. Tip the unit toward the user onto the rear legs. Apply downward pressure to the rear jaw. The unit will now rotate into the folded position. Continue to apply downward pressure to the rear jaw until the unit reaches the final fold position.



To carry the Work Center, place the wood jaws next to the user and lift from the bottom jaw edge, as shown above. This will prevent accidental opening.