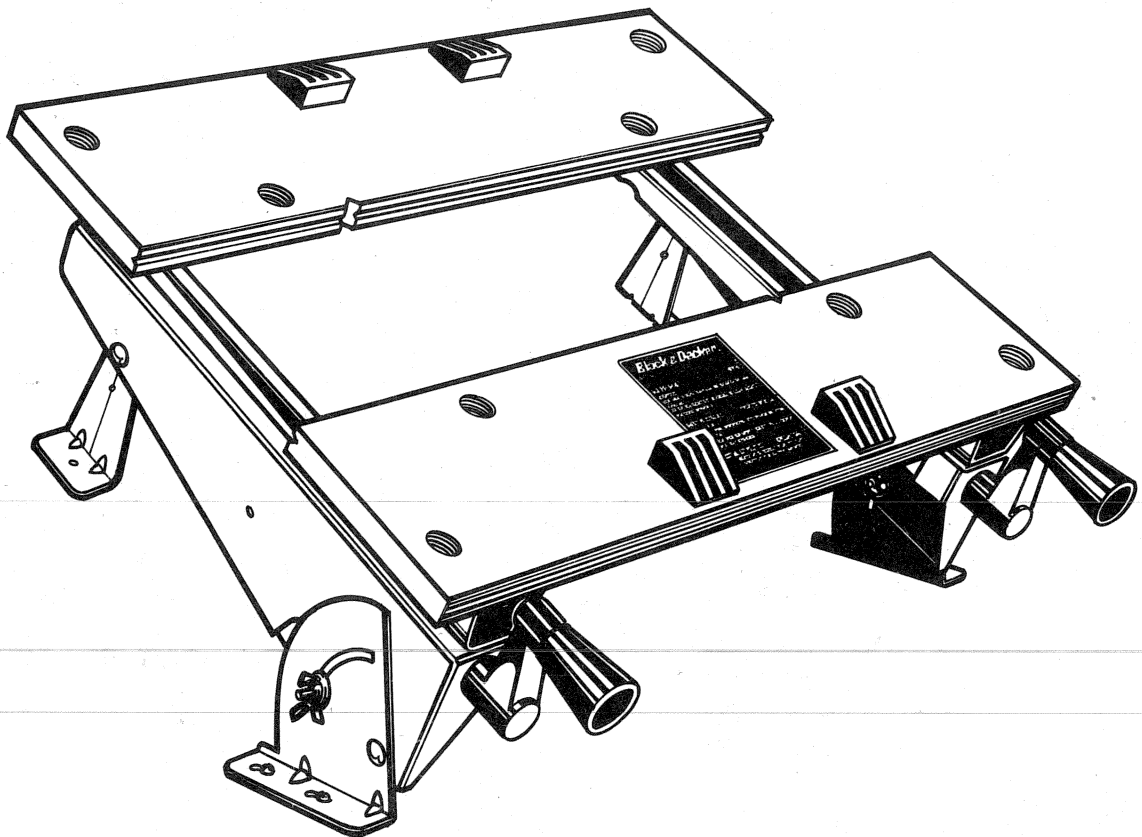




Black & Decker

Table Top WORKMATE

79-008-04



Your new Workmate is a quality piece of equipment that has been carefully designed and manufactured to provide years of dependable service.

This instruction manual will familiarize you with the Workmate. It lists important facts and features which describe the Workmate's construction and basic operating techniques. Set up instructions and various usage situations are also provided.

Read this manual carefully. Only by being totally aware of what the Workmate can do will you be able to put it to the numerous tasks it is capable of performing.

SAFETY RULES

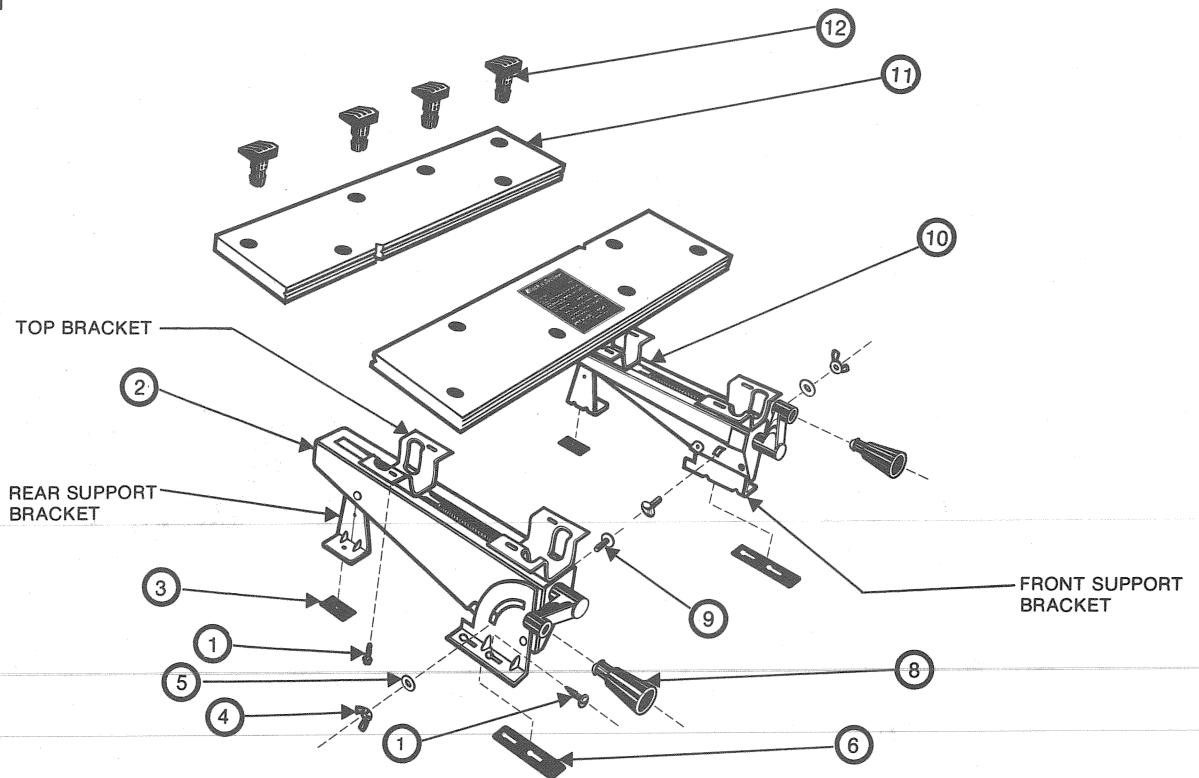
- (1) Do not load with more than 100 lbs. in horizontal angle positions.
- (2) Do not use as a standing platform.
- (3) Avoid applying excessive force when clamping using the swivel grips.
- (4) Be careful not to pinch fingers between vise bracket and front support pak bracket.
- (5) When making any angular adjustment with the unit, always tighten both wing nuts securely before starting to work on the unit.
- (6) When using a power tool with the unit, follow the safety rules in the tool's instruction manual.
- (7) Wear safety glasses when using power tools.
- (8) Never mount power tools directly in vise; pressure may damage tools.
- (9) Setting the unit up at any angle you must screw the unit down to your table or workbench with four screws supplied before starting to work on the unit.

TABLE TOP WORKMATE MODEL #79-008-04

The #79-008-04 Table Top Workmate comes to you partially assembled. Additional assembly is required. For this assembly you will require a standard slotted screwdriver or a 1/4" wrench. Below you will find an exploded diagram and list of components which you will find in your carton.

Please check carefully the contents of the carton before proceeding with assembly. Please read carefully the assembly instructions contained on Page 3 before proceeding with assembly.

PARTS LIST



NOTE: Before assembling the unit check that you have received all the parts listed below.

Item	Part No.	Description	Qty./Unit	Item	Part No.	Description	Qty./Unit
1	976763	Screw	12	8	975876-00	Snap-in Handle	2
2	976497-00	Sub-assembled Vise Bracket L.H.	1	9	68335	1/4-20 Bolt	2
3	976500	Rear Pad	2	10	976497-01	Sub-Assembled Vise Bracket R.H.	1
4	69521-01	1/4-20 Wing Nut	2	11	976493	Vise Jaw	2
5	8871	Flat Washer	2	12	975955	Swivel Grip	4
6	976496	Front Pad	2				

TABLE TOP WORKMATE #79-008-04 ASSEMBLY

1

Place the vise jaws, finished side down with the edges containing the machined "V" grooves aligned as shown in Fig. 2. The hole pattern in the centre of the combined jaws should be oval in shape.

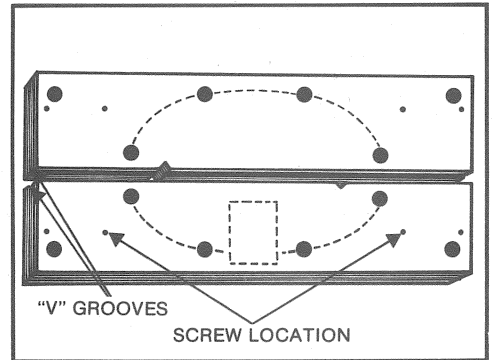


FIGURE 1

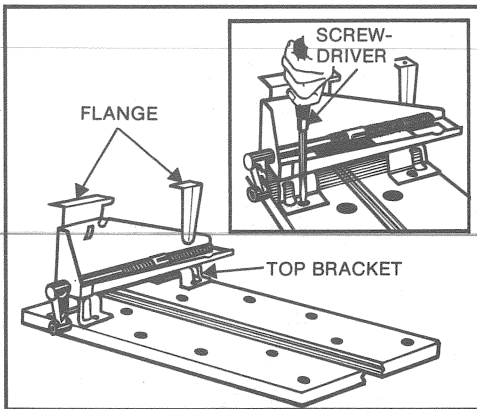


FIGURE 2

2

With the flange on the support brackets facing outward, place one sub-assembled Vise Bracket on the vise jaws FIG. 2.

Align the slotted holes in the top bracket with the screw holes in the vise jaws, using screw #976763. Screw the vise bracket to the vise jaws.

Tighten all four (4) screws securely and repeat this operation with the remaining sub-assembled Vise Bracket.

3

Assemble the 1/4-20 bolt, wing nut and flat washer as shown in FIG. 1 through the slot provided in the sub-assembled Vise Bracket left hand and right hand.

CAUTION: When in use make sure the square shoulder on the bolt is engaged with the square slot in the vise bracket.

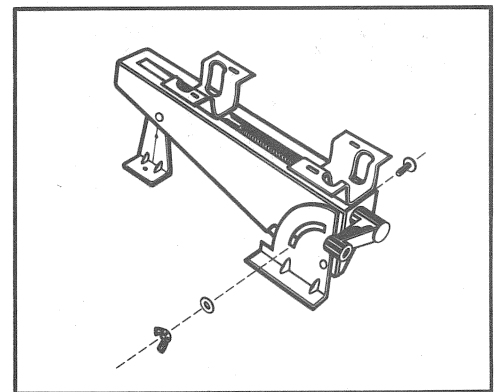


FIGURE 3

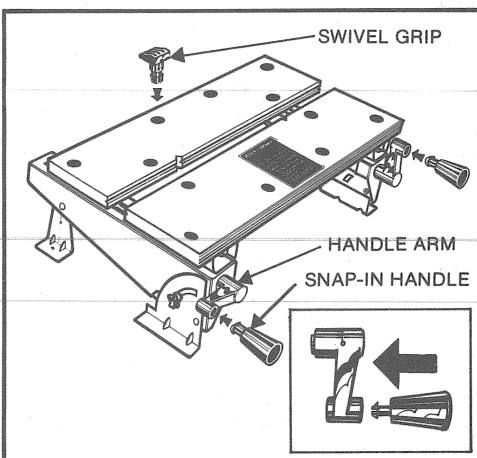


FIGURE 4

4

Snap-in handles can now be assembled to the handle arms on the sub-assembled Vise Brackets FIG. 4. Insert swivel grips into holes on vise jaws.

5

The front and rear pads can now be put on the front & rear support brackets in location shown FIG. 1.

Peel the paper off one side of the pad and centre the hole in the pad with the holes in the front & rear support brackets and press pads on firmly.

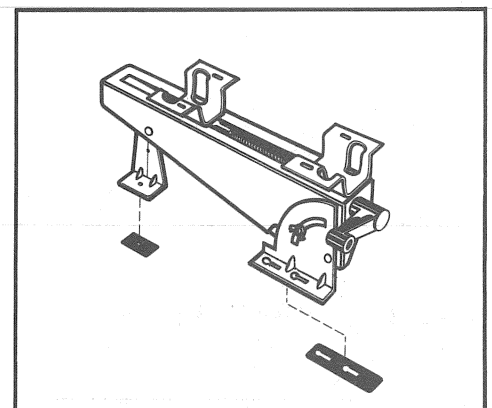


FIGURE 5

TABLE TOP WORKMATE SET-UP FOR USE

Portable Table Top Workmate

You do not have to fasten your Table Top Workmate down permanently to a work bench or table top. Front and rear pads (FIG. 1) have been supplied to be installed on the front and rear support brackets. Pads are supplied so that the unit can be used with minimal slippage and to prevent the metal support brackets from scratching the surface on which you are placing your Table Top Workmate.

CAUTION: If using the unit at an angle it must be securely fastened as below.

Table Top Workmate Fastened Down with Wood Screws

Table Top Workmate is supplied with four (4) wood screws. (See Page 2).

Two (2) #10 clearance holes are provided in each of the front two support brackets.

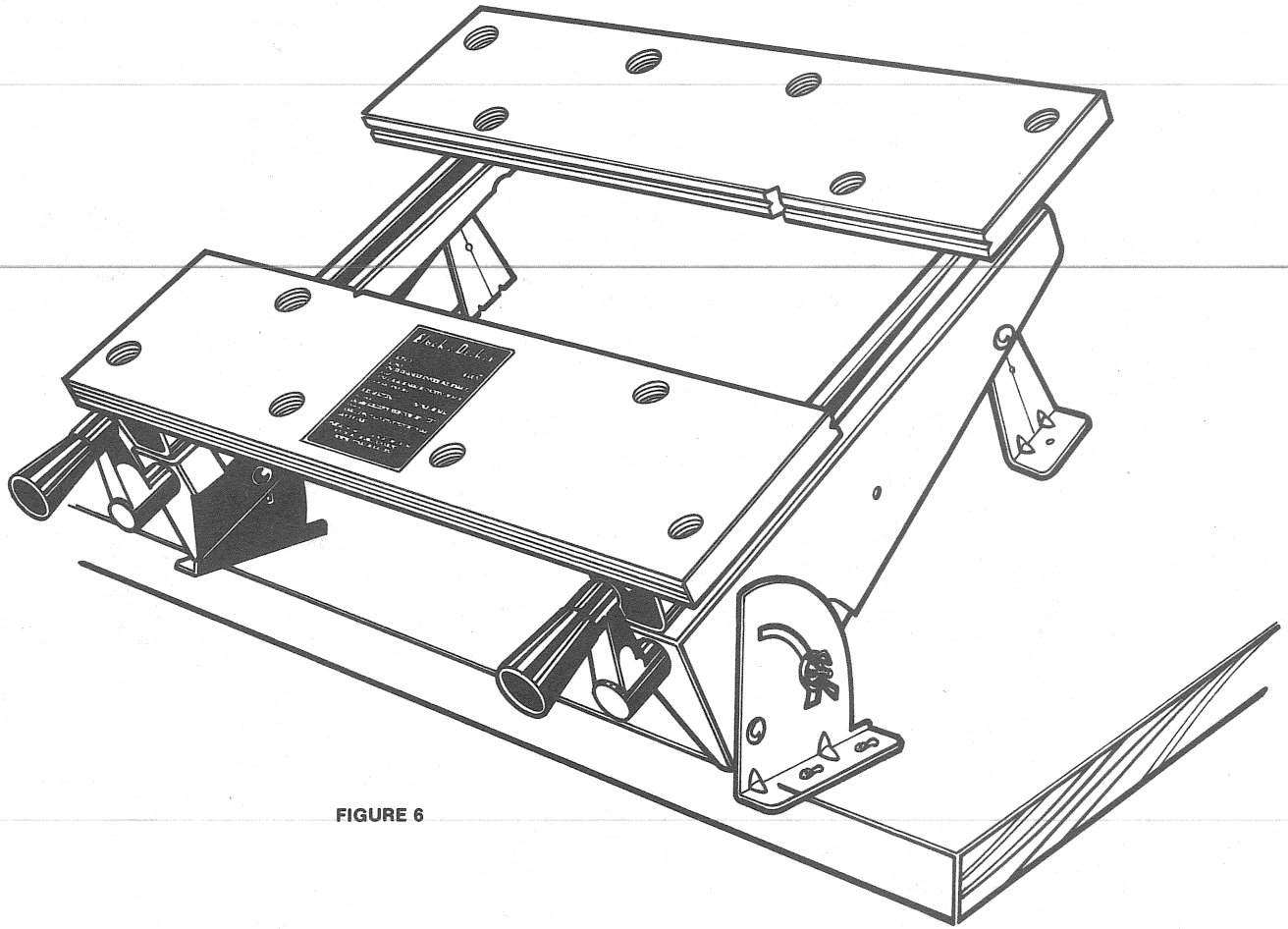


FIGURE 6

Set the Table Top Workmate on the work bench or table top which you are going to fasten the Table Top Workmate. The line stamped on two front support brackets should line up with the front edge of the work bench or table top in order to pivot the unit to 90° without hitting the Table Top Workmate handles.

Now you can screw your four (4) wood screws into the clearance holes provided.

If you want to remove your Table Top Workmate from the bench, just back off the screws (4) a couple of turns, slide the Table Top Workmate to you until you line the screw head up with the large hole in the front support bracket. Lift the Table Top Workmate up and you will clear the screw heads.

When you want to put your Table Top Workmate back on the bench, locate front support brackets over the screw heads and push the unit back until you stop. Now screw the four (4) wood screws down securely.

TABLE TOP WORKMATE ANGULAR ADJUSTMENT

If you wish to set the Table Top Workmate at an angle, loosen the two wing nuts (FIG. 3), pivot the table towards you until you have reached the position you would like to work at next. **CAUTION:** Tighten both wing nuts securely before starting to work on the unit, assure the unit is secure to the table top.

WISE JAW OPERATION

The two vise handles adjust the jaws to a maximum 5 inch jaw opening. Because each handle works independently, the opening can be tapered from 0 inches to 5 inches maximum.

Use of the swivel grips in the appropriate vise holes extend the vise capacity of the Table Top Workmate to maximum of 12".

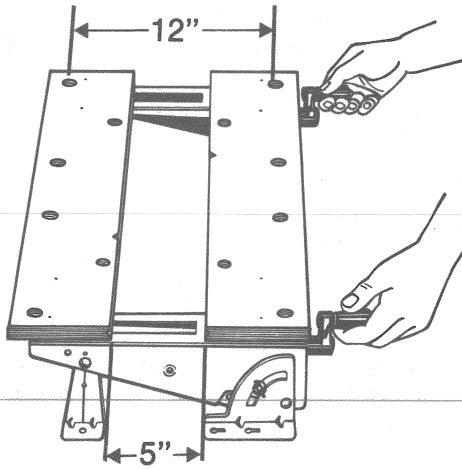


FIGURE 7

Adjusting the vise jaws with the vise handles.

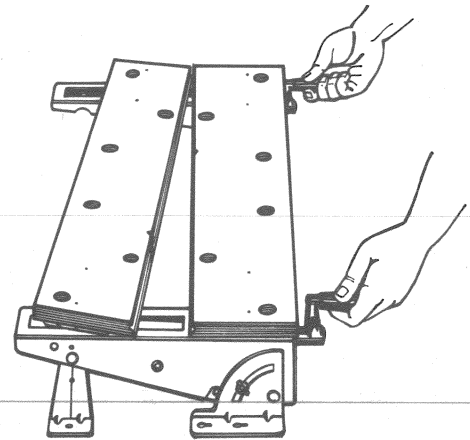


FIGURE 8

Tapering the vise opening using the independent vise handles.

TABLE TOP WORKMATE HOLDING IRREGULAR SHAPES

Using the swivel grips in the appropriate holes and the independent action of the vise handle, the Table Top Workmate can secure the most irregular shapes.

Lets you grip objects that used to be impossible to hold.

Rotate the swivel grip to accept irregular shapes. Outside swivel grips extend vise capacity for a 21 inch diagonal grip.

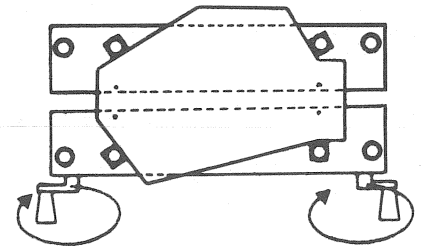


FIGURE 9

FIGURE 10

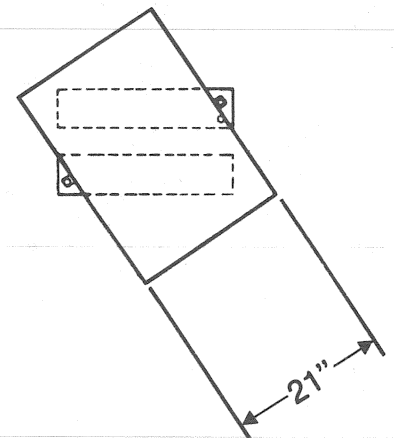
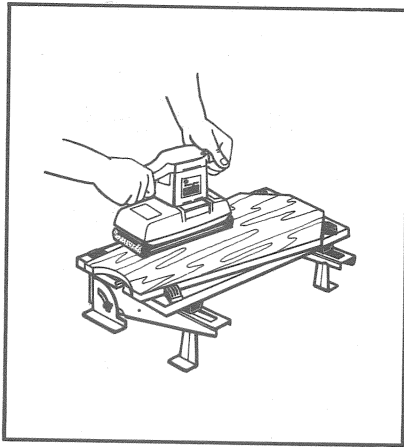
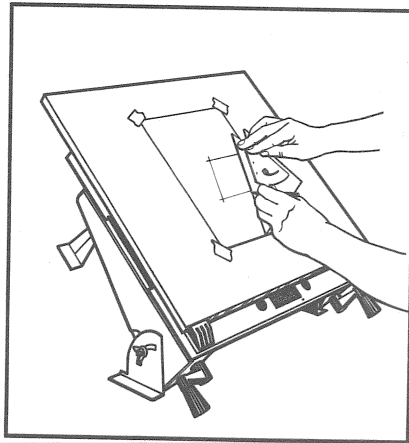


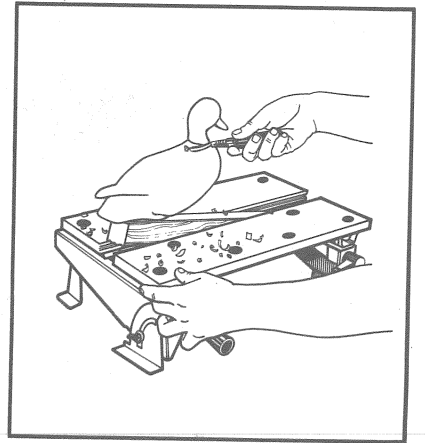
TABLE TOP WORKMATE APPLICATIONS



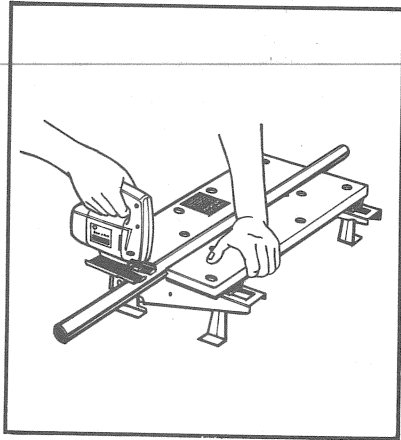
Holding parts to be sanded, planed, or sawed.



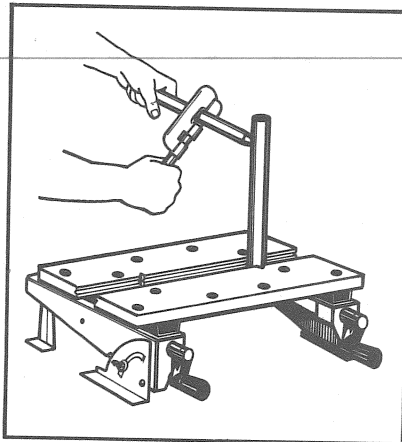
As a drafting board or paint easel.



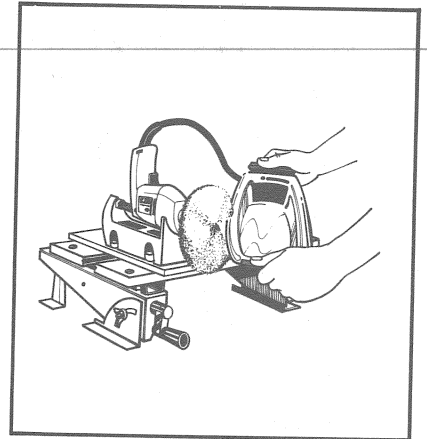
Can be used to hold material while carving, e.g. duck decoys.



Sawing tubular pieces is easy when they are held horizontally in the specially designed V-grooves running along the face of the vise jaws.



Similarly, vertical V-grooves in the face of the vise jaws permit rigid vertical grasping of tubular objects.



You'll want to use all of your power accessories more often. Take buffing — it's easier and more convenient with the Table Top Workmate.

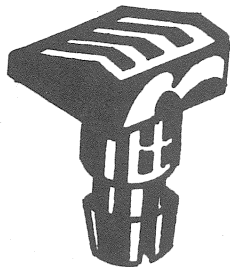
These illustrations depict only a few of the Table Top Workmate's many applications.

UNIT STORAGE ON THE WALL

1. With the Table Top Workmate sitting in the collapsed position (horizontal) tighten the two wing nuts securely.
2. Pick up the Table Top Workmate with the flat face of the vise jaws to you and the handles pointing upward.
3. Place the unit against the wall on the support brackets.
4. Next with a pencil mark the two #10 screw clearance hole centres in the front support brackets.
5. After marking the centres take the unit down and put two

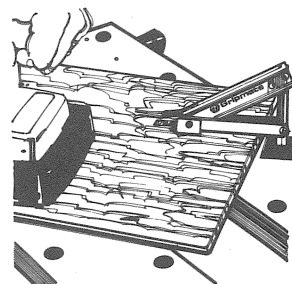
- #10 screws (not supplied) in the wall on the two centres marked in pencil. Screw in 3/4 of the screw length.
6. Now pick up the Table Top Workmate as previously described Point 1 and 2.
7. The front support bracket has #10 screw head clearance hole. Mount the unit through the head clearance holes and let the unit down until it rests on the screws.

TABLE TOP WORKMATE ACCESSORIES



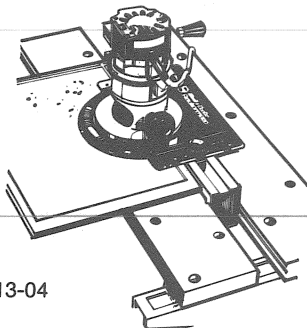
CAT. NO.
79-010
SWIVEL GRIP

Packaged in Pairs
Ideal for holding large and irregular shaped objects.



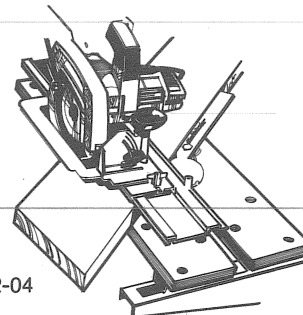
CAT. NO. 79-011-04
GRIPMATE

Specially designed clamp assembly to hold items on a work surface for glueing, routing, sanding, sawing, etc.



CAT. NO. 79-013-04
ROUTERMATE

Professional Router cuts made easy. Holds Black & Decker and other popular routers securely on Table Top Workmate. Gives solid "hands off" support for all types of router cuts.



CAT. NO. 79-012-04
MITREMATE

Clamps into Table Top Workmate vise to hold material down securely for accurate mitre and compound mitre cuts, accepts most popular makes of 7 1/4" Circular Saws and is ideal for cutting rafters, floor joist, studs, windows, baseboard and decorative trim.

Black & Decker



**RAPID
EXCHANGE
SERVICE**

The Workmate is guaranteed for one year from date of purchase. If you are not completely satisfied with it, it will be replaced free of charge when returned to the seller (if a participating retailer) or to a Black & Decker Service Centre. Proof of purchase and return of all standard equipment is required. This guarantee is not applicable if the Table Top Workmate is used in commercial or rental service.

BLACK & DECKER SALES AND SERVICE CENTRES

HALIFAX, N.S.: 3695 Barrington St., Barrington Comm. Ctr., B3K 2Y3
 QUEBEC, P.Q.: 2675 rue Dalton, Parc Colbert, Ste-Foy G1E 6A8
 MONTREAL, QUE.: 7865 St. Lawrence Blvd., H2R 1X1
 LONGUEUIL, QUE.: 1568 Chemin de Chambly, J4J 3X5
 LAVAL, QUE.: 1930 St. Martin Blvd., H7S 1M9
 POINTE CLAIRE, QUE.: 3669 St. John's Rd., H9G 1X2
 OTTAWA, ONT.: 285 Richmond Road, K1Z 6X3
 BROCKVILLE, ONT.: Central Avenue, K6V 4N8
 SCARBOROUGH, ONT.: 729 Kennedy Rd., M1K 2C6
 DOWNSVIEW, ONT.: 592 Champagne Drive, M3J 2T9
 TORONTO, ONT.: 1180 The Queensway, M8Z 1R5
 HAMILTON, ONT.: 180 Parkdale Avenue N., L8H 5X2
 KITCHENER, ONT.: 671 Belmont Ave. W., N2M 1N8
 LONDON, ONT.: 631 Commissioners Rd. E., N6C 2V1
 WINDSOR, ONT.: 3707 Walker Rd., N8W 3S9
 SUDBURY, ONT.: 1496 Fairburn Avenue, P3A 1N7
 WINNIPEG, ST. JAMES, MAN.: 934 St. James Street, R3H 0K3
 REGINA, SASK.: 1076 Albert Street, S4R 2P8
 SASKATOON, SASK.: No. 4 - 1622 Ontario Avenue, S7K 1S8
 CALGARY, ALTA.: 1003, 11th Avenue S.W., T2P 0G2
 EDMONTON, ALTA.: 11440 Avenue 142nd Street, T5M 1V1
 VANCOUVER, B.C.: 24 West Second Avenue, V5Y 1B5
 NEW WESTMINSTER, B.C.: 301 Columbia Avenue, V3L 1A7

Black & Decker Mfg. Co. Ltd. Brockville, Ontario

