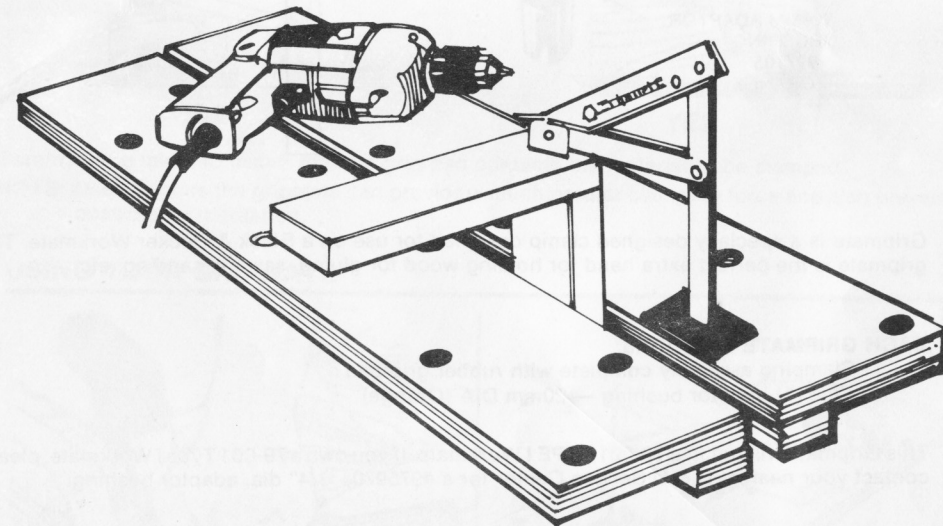




Black & Decker[®]

Workmate[™] **ACCESSORY**

GRIPMATE 79-011



Your new Workmate Accessory is a quality piece of equipment that has been carefully designed and manufactured to provide years of dependable service.

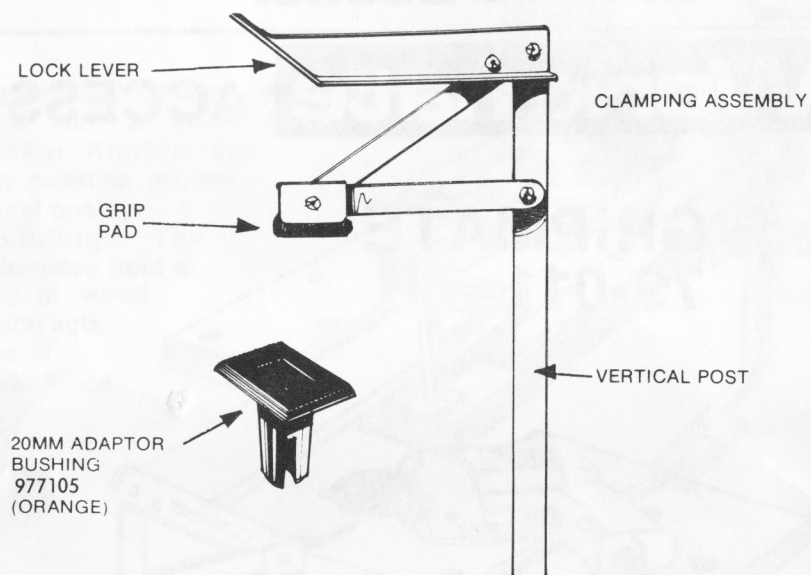
This Instruction Manual will familiarize you with your Accessory.

It lists important facts and features which describe your Workmate Accessory's construction and basic operating techniques.

Set-up instructions and various usage situations are also provided.

Read this manual carefully. Only by being totally aware of what your Workmate Accessory can do will you be able to put it to the numerous tasks it is capable of performing.

GRIPMATE 79-011 CONTENTS



Gripmate is a specially designed clamp designed for use on a Black & Decker Workmate. The gripmate is the perfect extra hand for holding wood for gluing, sawing, sanding, etc.

EACH GRIPMATE INCLUDES:

1. Clamping assembly complete with rubber grip pad
2. One (1) adaptor bushing — 20mm DIA (Orange)

This Gripmate will not fit a 79-001 **TYPE I** Workmate. If you own a 79-001 Type I Workmate, please contact your nearest B & D Service Center for a #975970 - 3/4" dia. adaptor bushing.

Please check carefully the contents of carton to assure that all pieces are present. Read carefully all safety rules, assembly and use instructions before using.

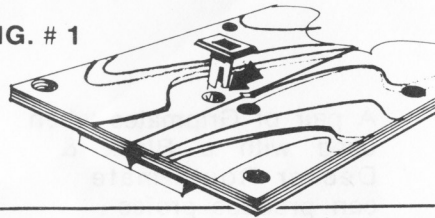
SAFETY RULES

1. Long overhanging loads must be supported to prevent Workmate from tipping.
2. When using with power cutting equipment, clamp Gripmate as close as possible to cutting area without interfering with cutter.
DO NOT CUT INTO GRIPMATE!
3. Use Workmate swivel grips or a second gripmate to prevent work rotating when applying side loads to the work piece. (ex. Drilling, Sawing etc.)
4. See Fig. # 4 for proper hand position when clamping, to prevent pinching fingers.

GRIPMATE ASSEMBLY AND USE

- 1 The adaptor bushing should be inserted into a hole on the Workmate table top with the adaptor flange flush to the table top.

FIG. # 1



Whenever possible you should use the centre-double thickness portion of the Workmate vise jaws to obtain maximum clamping efficiency (see insert); avoid using extreme end holes wherever possible as some rotation interference may be encountered between the vertical post and the Workmate vise jaw bracket.

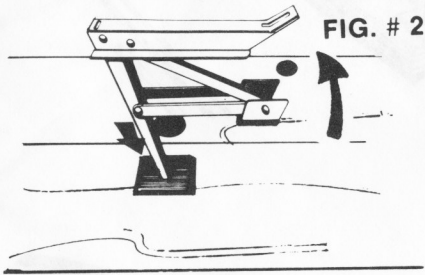
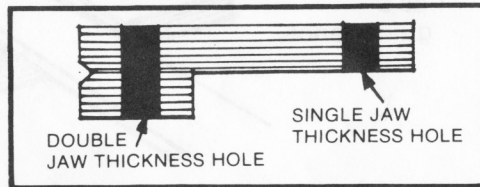


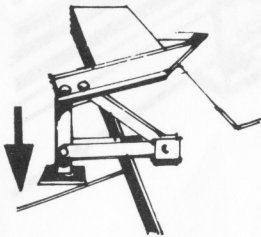
FIG. # 2



- 2 Insert the gripmate vertical post in the bushing and open the lock lever until it stops at the upper stop position.

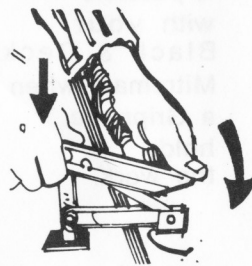
- 3 Move the gripmate down until the grip pad just touches work.

FIG. # 3



- 4 Apply downward pressure to the top of the vertical post and at the same time press the lock lever down to the lock position. The amount of downward pressure will determine the clamping force.
- CAUTION:** Place hands as shown in Fig. # 4 to prevent pinching fingers.

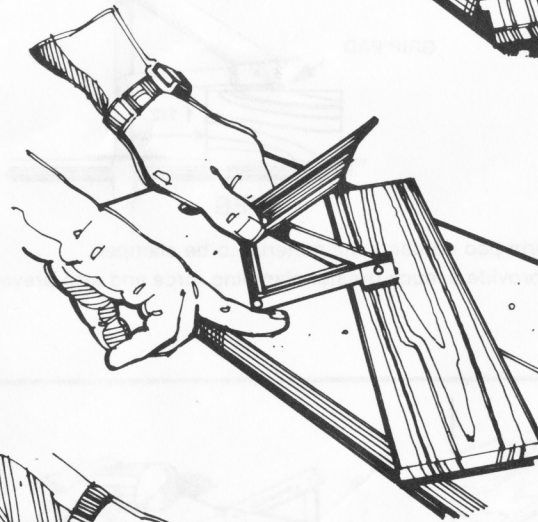
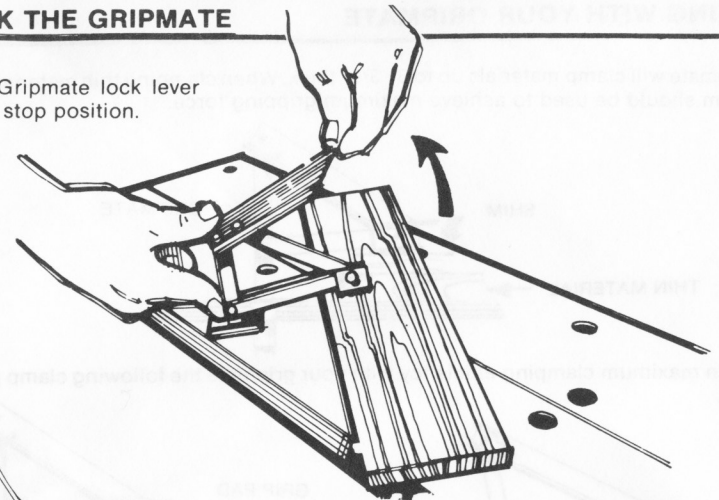
FIG. # 4



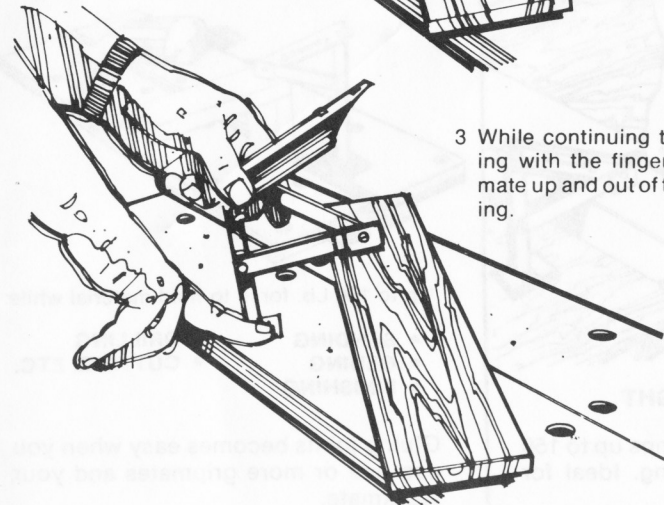
NOTE: Proper operation of the Gripmate depends on friction occurring between adaptor bushing and the vise jaw hole. If the Gripmate fails to clamp properly, roughen the inside surface of the hole with sandpaper.

TO UNLOCK THE GRIPMATE

- 1 Pull the Gripmate lock lever up to the stop position.



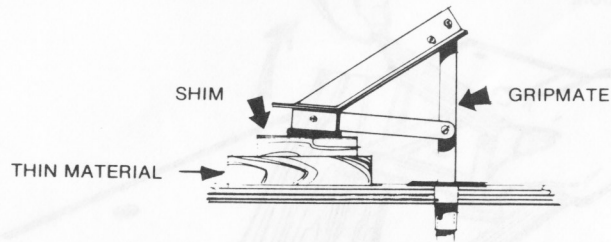
- 2 Grasp the Gripmate near the top of the vertical post. Place the fingers of the other hand on the top surface of the adaptor bushing. While holding the bushing down with the fingers, rock the Gripmate back and forth to disengage it from the sides of the bushing.



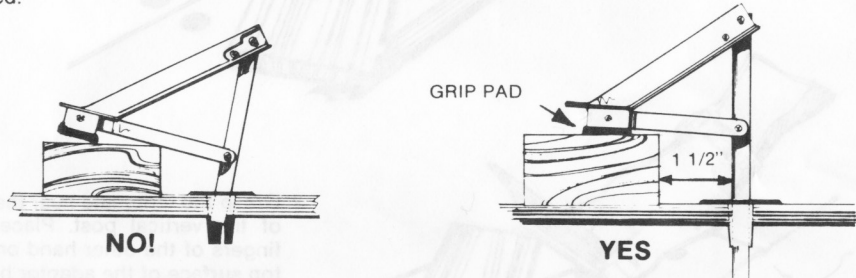
- 3 While continuing to hold the bushing with the fingers, pull the Gripmate up and out of the adaptor bushing.

WORKING WITH YOUR GRIPMATE

The gripmate will clamp materials up to 3 3/8" thick. When clamping thin materials or soft wood a 1/2" shim should be used to achieve maximum gripping force.



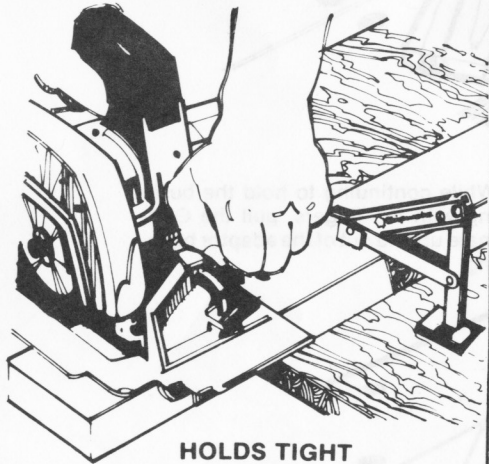
To obtain maximum clamping efficiency with your gripmate the following clamp position should be used.



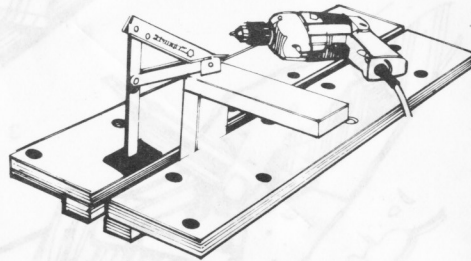
Care must be taken to insure that the grip pad contacts the material to be clamped.

NOTE: Used in pairs the gripmate can provide a much greater clamping force and also prevent possible work rotation.

USING YOUR GRIPMATE



Adjustable height — Clamps up to 150 lbs. force without marking. Ideal for use with power tools.



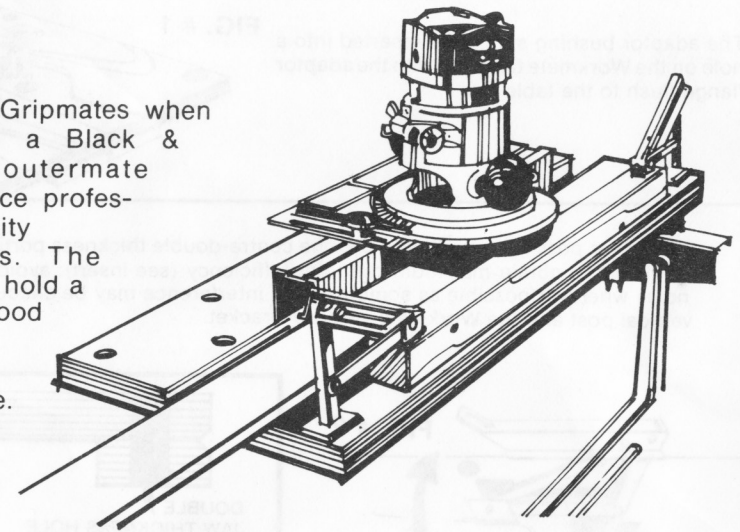
Up to 150 Lb. force to hold material while:

- SANDING
- GLUING
- FINISHING
- DRILLING
- CUTTING, ETC.

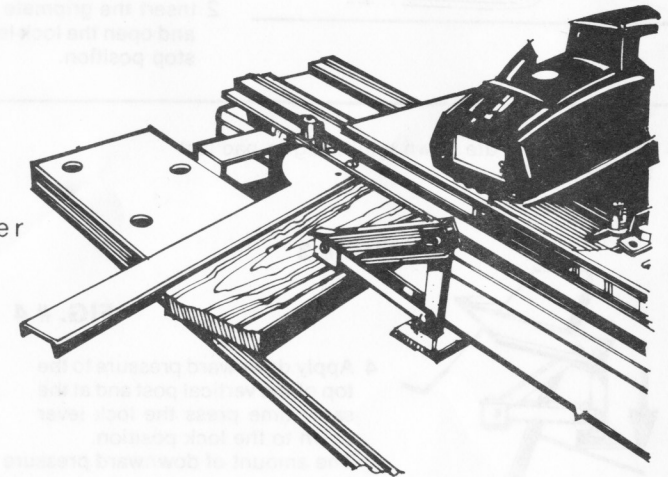
Gluing joints becomes easy when you use one or more gripmates and your Workmate.

WORKING WITH YOUR GRIPMATE (Con't.)

A pair of Gripmates when used with a Black & Decker Routermate can produce professional quality mouldings. The Gripmates hold a strip of wood which acts as a guide fence.



Added stability and accuracy is possible with your Black & Decker Mitremate when a Gripmate holds the work.



Black & Decker (U.S.) Inc., Towson, Maryland 21204 U.S.A.