

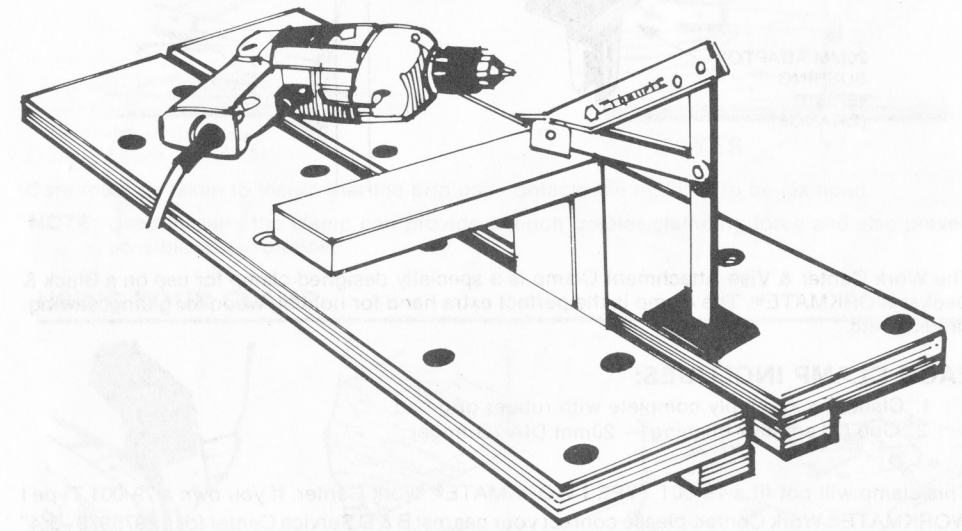
G-29-93 \$16.93

Workmate®



Portable Work Center & Vise Attachment

CLAMP 79-016



Your new WORKMATE® Attachment is a quality piece of equipment that has been carefully designed and manufactured to provide years of dependable service.

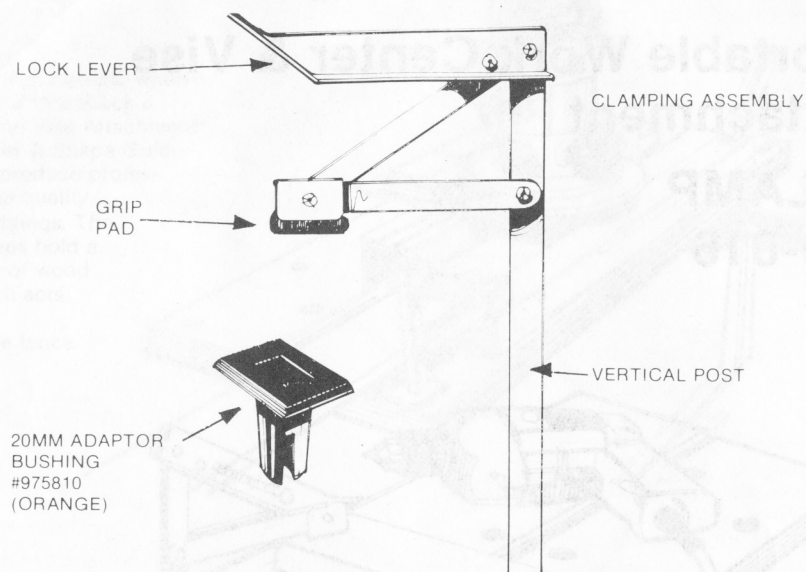
Instruction Manual will familiarize you with your Attachment.

It lists important facts and features which describe your WORKMATE® Attachment's construction and basic operating techniques.

Read this manual carefully. Only by being totally aware of what your WORKMATE® Attachment can do will you be able to put it to the numerous tasks it is capable of performing.

Black & Decker®

79-016 CLAMP CONTENTS



The Work Center & Vise Attachment Clamp is a specially designed clamp for use on a Black & Decker WORKMATE®. The clamp is the perfect extra hand for holding wood for gluing, sawing, sanding, etc.

EACH CLAMP INCLUDES:

1. Clamping assembly complete with rubber grip pad
2. One (1) adaptor bushing — 20mm DIA (Orange)

This clamp will not fit a 79-001 **TYPE I** WORKMATE® Work Center. If you own a 79-001 Type I WORKMATE® Work Center, please contact your nearest B & D Service Center for a #975970 - 3/4" dia. adaptor bushing.

Please check carefully the contents of carton to assure that all pieces are present. Read carefully all safety rules, assembly and use instructions before using.

SAFETY RULES

- 1 Long overhanging loads must be supported to prevent Work Center from tipping.
- 2 When using with power cutting equipment, clamp unit as close as possible to cutting area without interfering with cutter.
DO NOT CUT INTO CLAMP!
- 3 Use WORKMATE® swivel grips or a second clamp to prevent work rotating when applying side loads to the work piece. (ex. Drilling, Sawing, etc.)
- 4 See Fig. #4 for proper hand position when clamping, to prevent pinching fingers.

CLAMP ASSEMBLY AND USE

1 When the correct adaptor bushing has been selected, it should then be inserted into a hole on the Work Center table top with the adaptor flange flush to the table top.

FIG. # 1

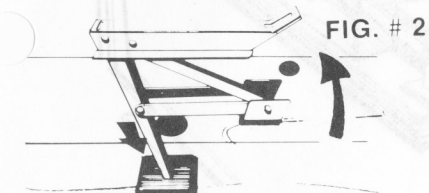
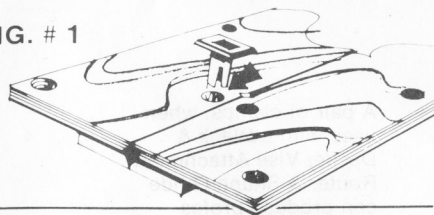
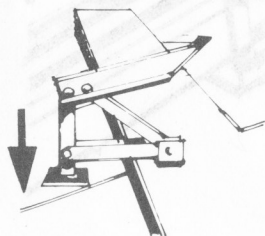


FIG. # 2

2 Insert the clamp vertical post in the bushing and then open the lock lever until it stops at the upper stop position.

3 Move the clamp down until the grip pad just touches work.

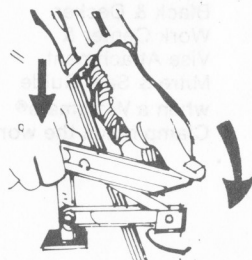
FIG. # 3



4 Apply downward pressure to the top of the vertical post and at the same time press the lock lever down to the lock position. The amount of downward pressure will determine the clamping force.

CAUTION: Place hands as shown in Fig. # 4 to prevent pinching fingers.

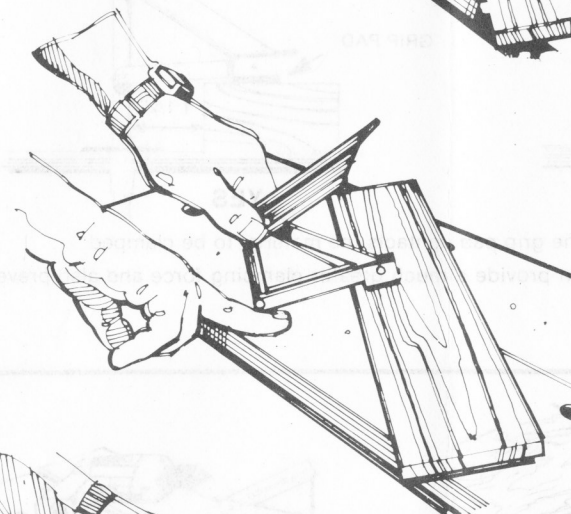
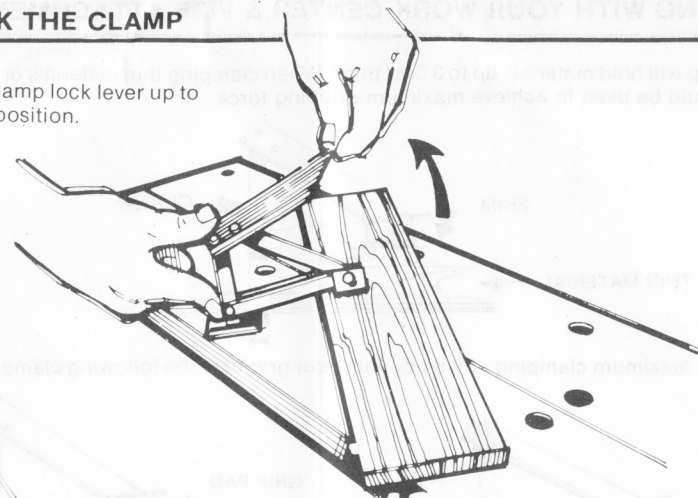
FIG. # 4



NOTE: Proper operation of the clamp depends on friction occurring between the adaptor bushing and the vise jaw hole. If the clamp fails to clamp properly, roughen the inside surface of the hole with sandpaper.

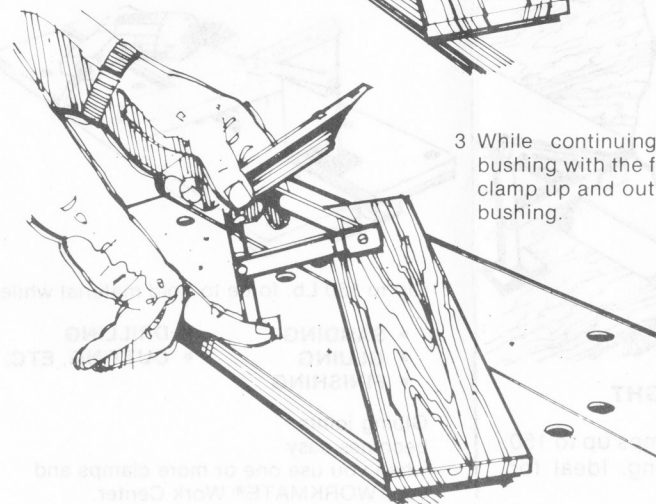
TO UNLOCK THE CLAMP

1 Pull the clamp lock lever up to the stop position.



2 Grasp the clamp near the top of the vertical post. Place the fingers of the other hand on the top surface of the adaptor bushing.

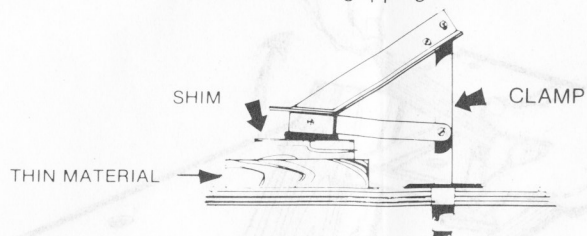
While holding the bushing down with the fingers, rock the clamp back and forth to disengage it from the sides of the bushing.



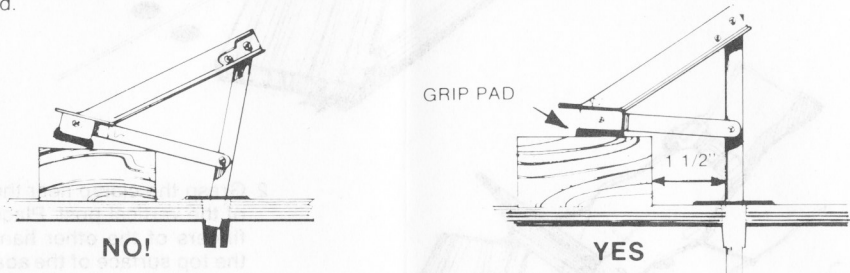
3 While continuing to hold the bushing with the fingers, pull the clamp up and out of the adaptor bushing.

WORKING WITH YOUR WORK CENTER & VISE ATTACHMENT CLAMP

The clamp will hold materials up to 3 3/8" thick. When clamping thin materials or soft wood a 1/2" shim should be used to achieve maximum gripping force.



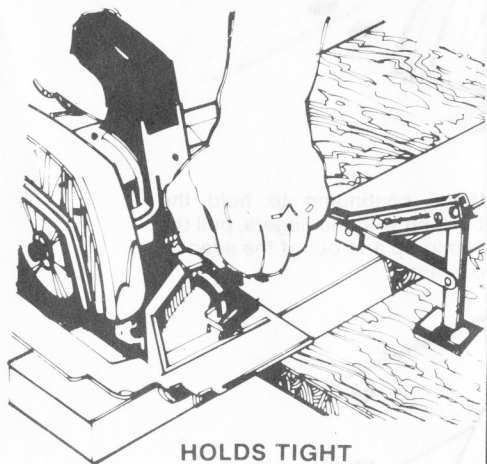
To obtain maximum clamping efficiency with your gripmate the following clamp position should be used.



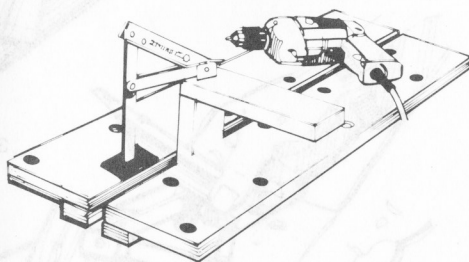
Care must be taken to insure that the grip pad contacts the material to be clamped.

NOTE: Used in pairs the clamp can provide a much greater clamping force and also prevent possible work rotation.

USING YOUR CLAMP



Adjustable height — Clamps up to 150 lbs. force without marking. Ideal for use with power tools.



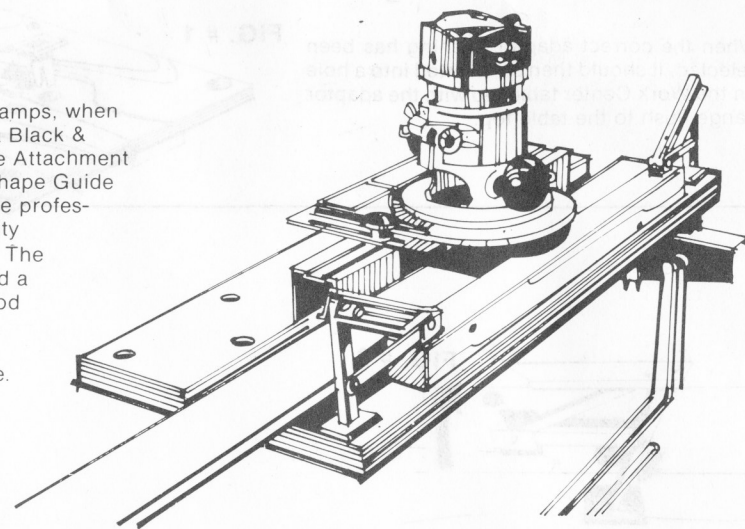
Up to 150 Lb. force to hold material while:

- SANDING
- GLUING
- FINISHING
- DRILLING
- CUTTING, ETC.

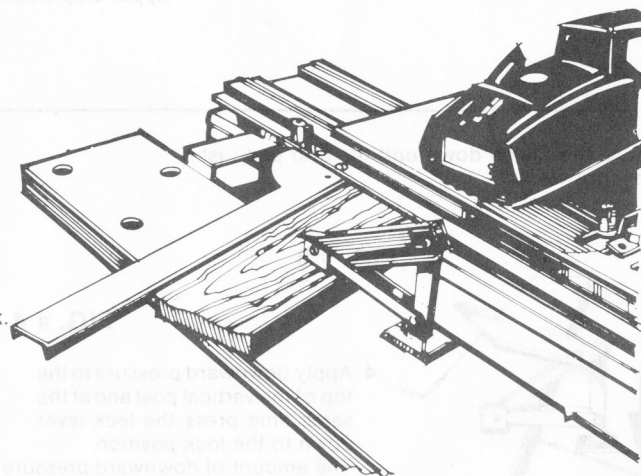
Gluing joints becomes easy when you use one or more clamps and your WORKMATE® Work Center.

WORKING WITH YOUR WORK CENTER & VISE ATTACHMENT CLAMP

A pair of clamps, when used with a Black & Decker Vise Attachment Router & Shape Guide can produce professional quality mouldings. The clamps hold a strip of wood which acts as a guide fence.



Added stability and accuracy is possible with your Black & Decker Work Center & Vise Attachment Mitre & Saw Guide when a Workmate® Clamp holds the work.



Black & Decker (U.S.) Inc., Towson Maryland, U.S.A.