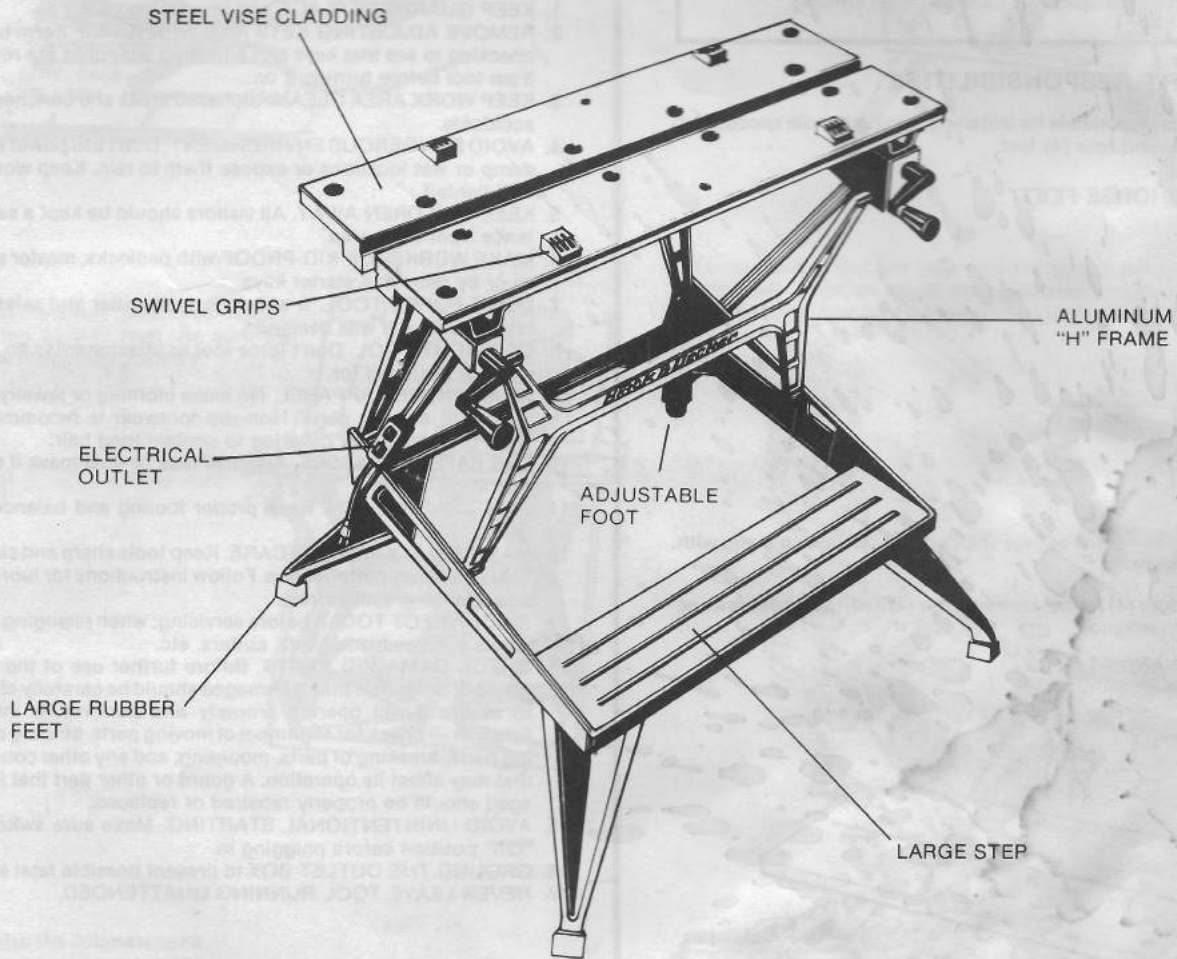




Black & Decker

OWNER'S MANUAL



JOBMATE

No. 3980-04

CONTENTS	
Maintenance Service	2
Safety Rules	2
Jobmate—Basic Information & Instructions ...	2 & 3
Working with the Jobmate	4
Gripmate Use	5 & 6
Vise Cladding Assembly	6
Repair Parts List	7

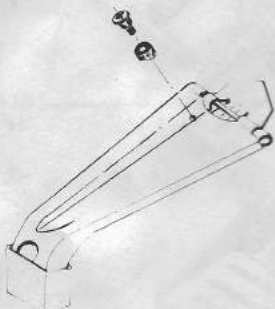
Your new Jobmate is a quality piece of equipment that has been carefully designed and manufactured to provide years of dependable service.

Set-up instructions and various usage situations are also provided. Read this manual carefully. Only by being totally aware of what the Jobmate can do will you be able to put it to the numerous tasks it is capable of performing.

CUSTOMER'S RESPONSIBILITIES

The customer is responsible for installing, two (2) handle knobs, four (4) swivel grips and four (4) feet.

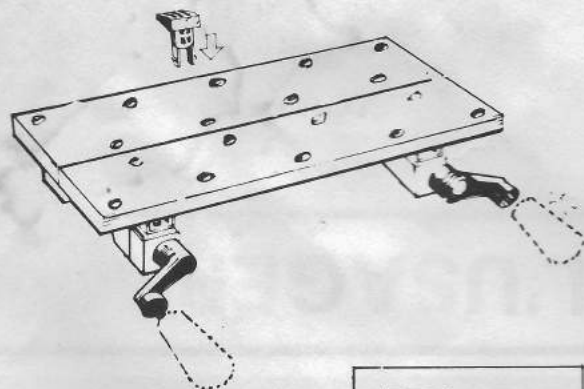
LOWER SAWHORSE FEET



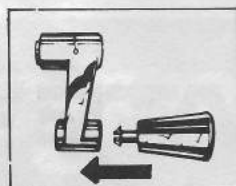
1. The Lower Sawhorse Feet are shipped in a plastic bag along with the two snap-in handles.

Assemble the four (4) rubber feet with four (4) self-tapping screws as shown in the illustration.

SWIVEL GRIP AND HANDLE ASSEMBLY



2. Snap the handles into handle arms on the vise bracket (see inset). Insert swivel grips into holes on vise jaws and you are now ready to use your new Jobmate.



SAFETY RULES

1. Do not load with more than 350 lbs.
2. Do not apply an unbalanced load which could cause the Jobmate to tip.
3. Do not use Jobmate as a stepladder or standing platform.
4. Do not store Jobmate outdoors or in damp condition.
5. Avoid applying excessive force when clamping in only the lower half of the vise jaws or when using the swivel grips.
6. Be sure that legs lock in the open position.
7. **Never mount power tools directly in vise; pressure may damage tools.**
8. An even pressure of jaws on work piece is essential. Tighten both jaw handles uniformly.
9. Mount electrical outlet only as recommended on page 6.

GENERAL SAFETY RULES FOR POWER TOOLS USED WITH THE JOBMATE

1. KEEP GUARDS IN PLACE and in working order.
2. REMOVE ADJUSTING KEYS AND WRENCHES. Form habit of checking to see that keys and adjusting wrenches are removed from tool before turning it on.
3. KEEP WORK AREA CLEAN. Cluttered areas and benches invite accidents.
4. AVOID DANGEROUS ENVIRONMENT. Don't use power tools in damp or wet locations or expose them to rain. Keep work area well lighted.
5. KEEP CHILDREN AWAY. All visitors should be kept a safe distance from work area.
6. MAKE WORKSHOP KID-PROOF with padlocks, master switches or by removing starter keys.
7. DON'T FORCE TOOL. It will do the job better and safer at the rate for which it was designed.
8. USE RIGHT TOOL. Don't force tool or attachment to do a job it was not designed for.
9. WEAR PROPER APPAREL. No loose clothing or jewelry to get caught in moving parts. Non-slip footwear is recommended. Wear protective hair covering to contain long hair.
10. USE SAFETY GLASSES. Also use face or dust mask if cutting operation is dusty.
11. DON'T OVERREACH. Keep proper footing and balance at all times.
12. MAINTAIN TOOLS WITH CARE. Keep tools sharp and clean for best and safest performance. Follow instructions for lubricating and changing accessories.
13. DISCONNECT TOOLS before servicing; when changing accessories such as blades, bits, cutters, etc.
14. CHECK DAMAGED PARTS. Before further use of the tool, a guard or other part that is damaged should be carefully checked to assure it will operate properly and perform its intended function — check for alignment of moving parts, binding of moving parts, breaking of parts, mounting, and any other conditions that may affect its operation. A guard or other part that is damaged should be properly repaired or replaced.
15. AVOID UNINTENTIONAL STARTING. Make sure switch is in "Off" position before plugging in.
16. GROUND THE OUTLET BOX to prevent possible fatal shocks.
17. NEVER LEAVE TOOL RUNNING UNATTENDED.

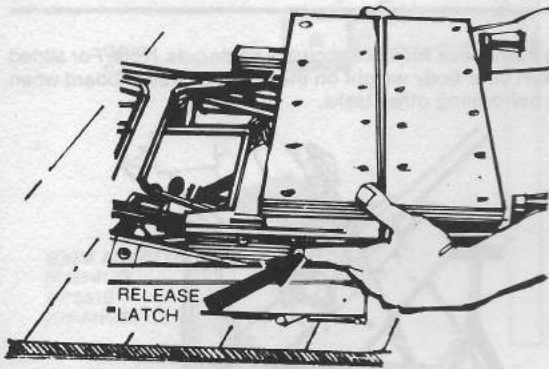
MAINTENANCE TIPS:

1. Pivot screws are of low friction design. No lubrication is necessary.
2. If binding of vise jaw occurs, cleaning of pivot nut and vise screw may be required.
3. Pivot screws should be checked for tightness.

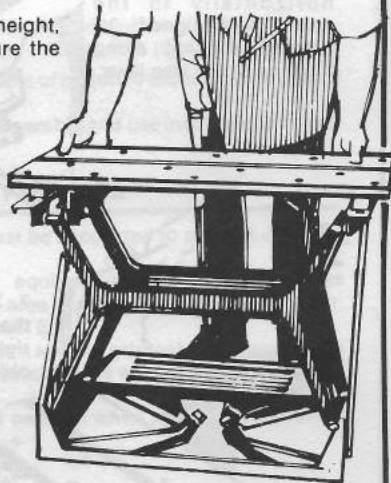
SETTING UP THE JOBMATE

The Jobmate sets up easily into two working heights: the lower "sawhorse" height or the upper "workbench" height. Choose the position best suited to your particular job. In each case, the Jobmate provides a rigid work surface.

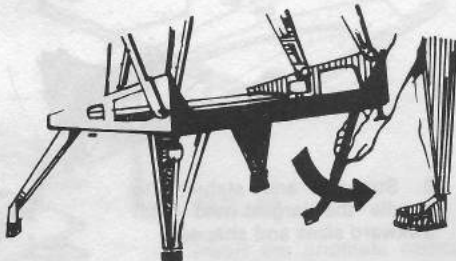
1. Place the Jobmate on the floor as illustrated. Press the two release latches located on both sides (as shown) and lift the unit until it locks into position.



2. This is the lower "Sawhorse" height, measuring 23-1/4" high. Be sure the Jobmate locks into position.



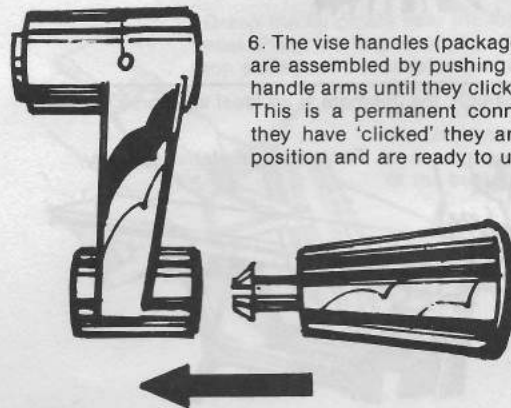
3. To raise the Jobmate to its full "workbench" height of 31 3/8", extend the 4 legs as shown.



4. Always make sure that each leg locks into its extended position. This will ensure the use of the Jobmate at this upper working height is secure.



5. To maintain a rigid and balanced Jobmate in the "workbench" position adjust the adjustable foot if required. Adjustable foot is located on right rear leg.



6. The vise handles (packaged separately) are assembled by pushing them into the handle arms until they click into position. This is a permanent connection. Once they have 'clicked' they are locked into position and are ready to use.

WORKING WITH YOUR JOBMATE

The Jobmate is a vise, a sawhorse and an ideal bench. Its basic design and special features help you to perform a complete range of workshop tasks from the simplest to the most complicated.

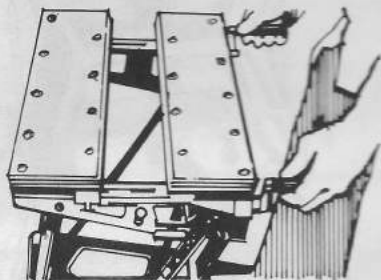
The heart of the Jobmate is in the action of the two parallel vise jaws.

The two vise handles adjust the jaws to a maximum 5 1/4" jaw opening. Because each handle works independently, the opening can be tapered from 0" to 5 1/4" maximum.

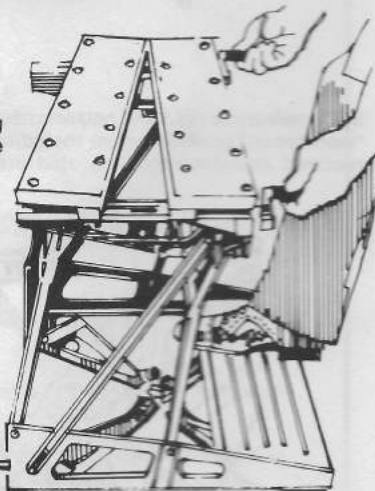
Use of the swivel grips in the appropriate vise holes extend the vise capacity of the Jobmate to a 12" parallel or 24" diagonal grip.

Note: From illustration 4 to 8, the user's hands are free to hold the tools properly.

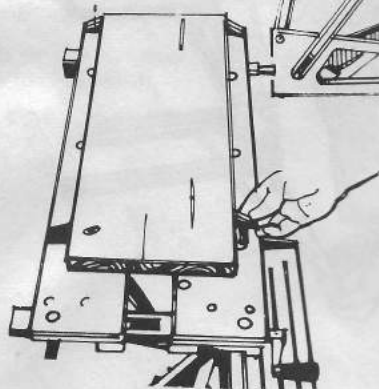
1. Adjusting the vise jaws with the vise handles.



2. Tapering the vise opening using the independent vise handles.



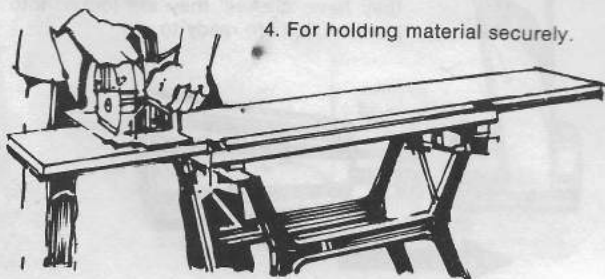
SWIVEL GRIP



3. Using the swivel grips to extend the vise capacity.

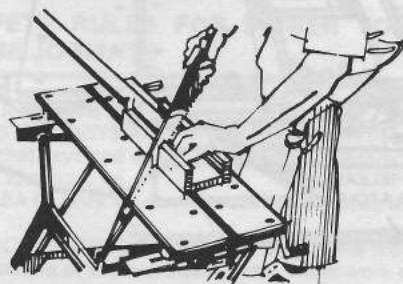
SAWING

In its lower position, the Jobmate is an ideal sawhorse.

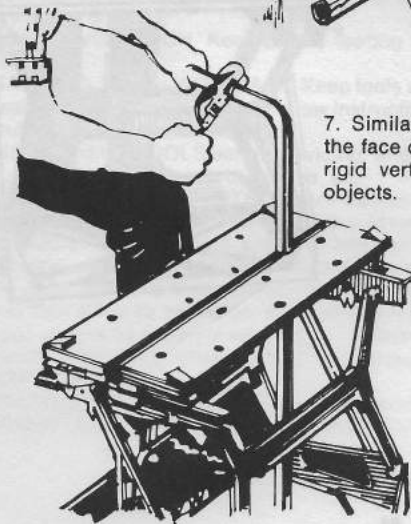
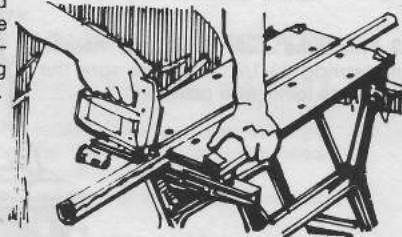


4. For holding material securely.

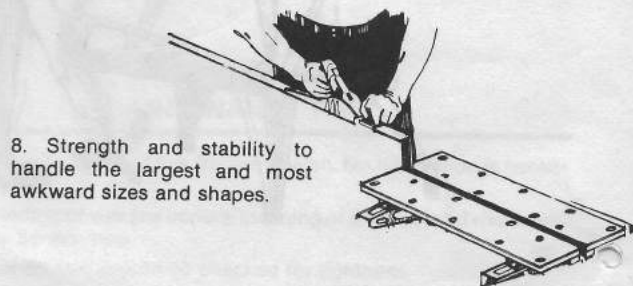
5. Holding a mitre box for more accurate angle cuts. Note: For added rigidity, exert your body weight on the Jobmate's base board when sawing or performing other tasks.



6. Sawing tubular pieces is easy when they are held horizontally in the specially designed V-grooves running along the face of the vise jaws.



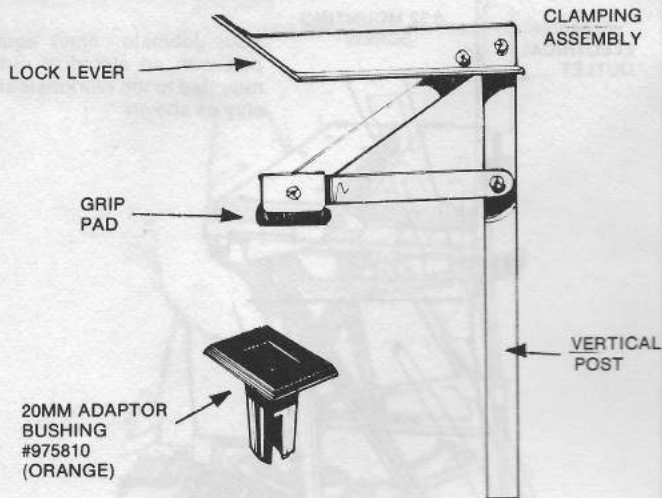
7. Similarly, vertical V-grooves in the face of the vise jaws permit the rigid vertical grasping of tubular objects.



8. Strength and stability to handle the largest and most awkward sizes and shapes.

GRIPMATE

Shipped with your Jobmate are two Gripmate clamps.



Gripmate is a specially designed clamp designed for use on a Jobmate.

The gripmate is the perfect extra hand for holding wood for gluing, sawing, sanding, etc.

EACH GRIPMATE INCLUDES:

1. Clamping assembly complete with rubber grip pad
2. One (1) adaptor bushing — 20mm DIA (Orange)

Please check carefully the contents of carton to assure that all pieces are present.

Read carefully all safety rules, assembly and use instructions before using.

SAFETY RULES

1. Long overhanging loads must be supported to prevent Jobmate from tipping.
2. When using with power equipment, clamp Gripmate as close as possible to cutting area without interfering with cutter.
3. **DO NOT CUT INTO GRIPMATE!**
4. Use Workmate swivel grips or a second gripmate to prevent work rotating when applying side loads to the work piece. (ex. Drilling, Sawing, etc.)
5. See Fig. #4 for proper hand position when clamping, to prevent pinching fingers.

GRIPMATE ASSEMBLY AND USE

1. Select an adaptor bushing and insert into a hole in the Jobmate table top. The flange on the adaptor bushing should be positioned flush to the table top.

FIG. #1

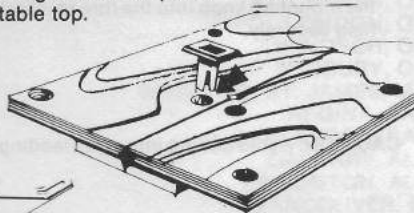
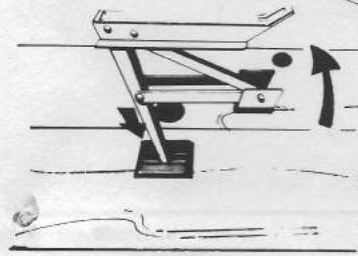


FIG. #2

2. Insert the gripmate vertical post in the bushing and stop the lock lever until it stops at the upper stop position.



Whenever possible you should use the centre-double thickness portion of the vise jaws to obtain maximum clamping efficiency (see insert); avoid using extreme end holes wherever possible as some rotation interference may be encountered between the vertical post and the Jobmate vise jaw bracket.

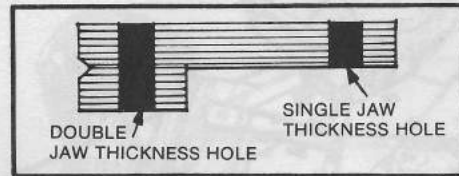


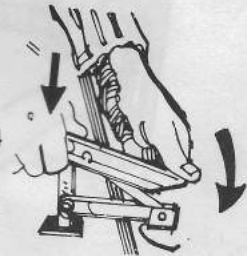
FIG. #3

3. Move the gripmate down until the grip pad just touches work.



FIG. #4

4. Apply downward pressure to the top of the vertical post and at the same time press the lock lever down to the lock position. The amount of downward pressure will determine the clamping force.

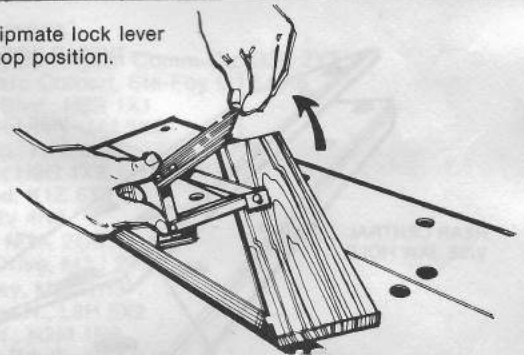


CAUTION: Place hands as shown in Fig. #4 to prevent pinching fingers.

NOTE: Proper operation of the Gripmate depends on friction occurring between adaptor bushing and the vise jaw hole. If the Gripmate fails to clamp properly, roughen the inside surface of the hole with sandpaper.

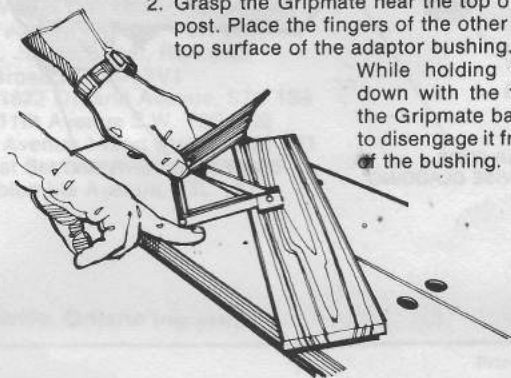
TO UNLOCK THE GRIPMATE

1. Pull the Gripmate lock lever up to the stop position.



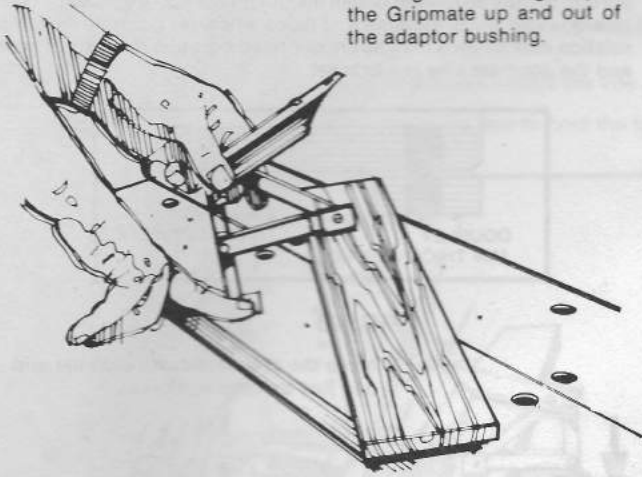
2. Grasp the Gripmate near the top of the vertical post. Place the fingers of the other hand on the top surface of the adaptor bushing.

While holding the bushing down with the fingers, rock the Gripmate back and forth to disengage it from the sides of the bushing.

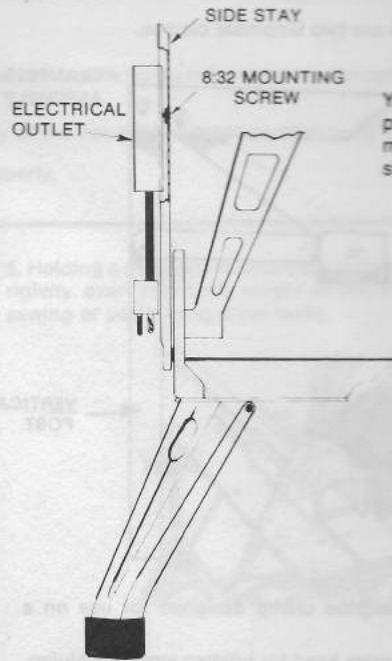


TO UNLOCK THE GRIPMATE (Cont.)

3. While continuing to hold the bushing with the fingers, pull the Gripmate up and out of the adaptor bushing.

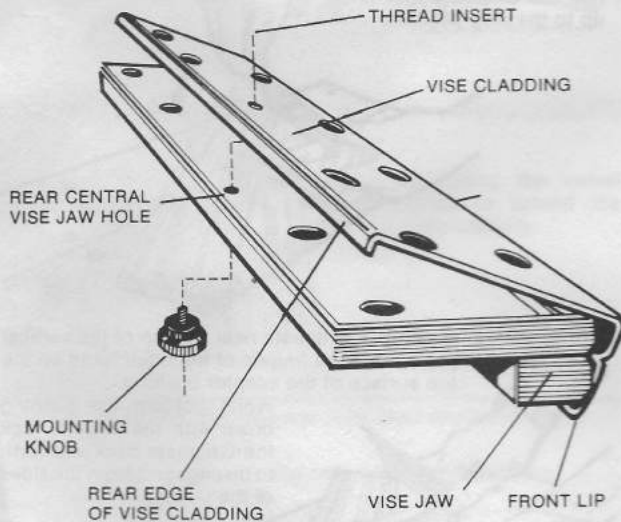


ELECTRICAL OUTLET



Your Jobmate comes equipped with an electrical outlet mounted to the Workmate side stay as shown.

WISE CLADDING ASSEMBLY

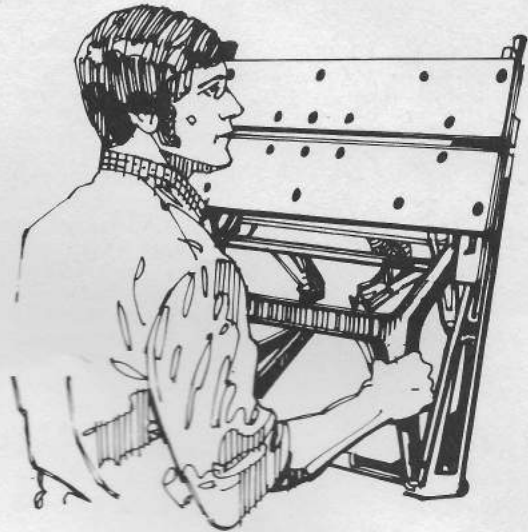


1. Open the jaws of the Jobmate to a minimum of two (2) inches.
2. Hook the front lip of the vise cladding under the lower front edge of the vise jaw as shown.
3. With the vise cladding located as in #2, push the rear edge of the vise cladding down until the cladding lays flat on the vise jaw and the thread insert enters the rear central hole in the vise jaw.
4. Insert the mounting knob from beneath the vise jaw, through the rear central hole and into the thread insert (see diagram). Screw the mounting knob into the thread insert until the vise cladding is held securely.

CAUTION: Avoid cutting into vise cladding when using power tools!

HOW TO STORE YOUR JOBMATE

1. Store swivel grips upside down in table top until next application.
2. Fold in all four legs and clamp in locked mode.
3. Place one foot on platform.
4. Using index fingers simultaneously pull both retaining latches toward you.
5. Pull the unit straight up until latches release.
6. Close the unit and clamp in locked mode.
7. You can now store your Jobmate conveniently in minimum space.



QUALITY GUARANTEE

Black & Decker guarantees, for one year from date of purchase, to correct by repair or parts replacement, without charge, any defect due to faulty material or workmanship. Simply return the complete unit, transportation prepaid, to any Black & Decker Service Centre or authorized Service Station. Naturally, we assume no responsibility for damage caused by misuse, careless handling or where repairs have been made or attempted by others. No other guarantee, written or verbal, is authorized by us.

BLACK & DECKER SALES AND SERVICE CENTRES

HALIFAX, N.S.: 3695 Barrington St., Barrington Comm Ctr. B3K 2Y3
QUEBEC, P.Q.: 2675 rue Dalton, Parc Colbert, Ste-Foy G1E 6A8
MONTREAL, QUE.: 7865 St. Lawrence Blvd., H2R 1X1
LONGUEUIL, QUE.: 1568 Chemin de Chambly, J4J 3X5
LAVAL, QUE.: 1930 St. Martin Blvd., H7S 1M9
POINTE CLAIRE, QUE.: 3669 St. John's Rd., H9G 1X2
OTTAWA, ONT.: 285 Richmond Road, K1Z 6X3
BROCKVILLE, ONT.: Central Avenue, K6V 4N8
SCARBOROUGH, ONT.: 729 Kennedy Rd., M1K 2C6
DOWNSVIEW, ONT.: 592 Champagne Drive, M3J 2T9
TORONTO, ONT.: 1180 The Queensway, M8Z 1R5
HAMILTON, ONT.: 180 Parkdale Avenue N., L8H 5X2
KITCHENER, ONT.: 671 Belmont Ave. W., N2M 1N8
LONDON, ONT.: 920 Commissioners Rd. E., N5Z 3J1
WINDSOR, ONT.: 3707 Walker Rd., N8W 3S9
SUDBURY, ONT.: 1496 Fairburn Avenue, P3A 1N7
WINNIPEG, ST. JAMES, MAN.: 934 St. James Street, R3H 0K3
REGINA, SASK.: 1359 Broad St., S4R 7V1
SASKATOON, SASK.: No. 4-1622 Ontario Avenue, S7K 1S8
CALGARY, ALTA.: 1003, 11th Avenue S.W. T2P 0G2
EDMONTON, ALTA.: 11440 Avenue 142nd Street, T5M 1V1
VANCOUVER, B.C.: 24 West Second Avenue, V5Y 1B5
NEW WESTMINSTER, B.C.: 301 Columbia Avenue, V3L 1A7

Black & Decker Canada, Inc., Brockville, Ontario (reg. user)