


YOU'RE TWICE THE MAN

World Patents Pending



 WITH YOUR
WORKMATE

**TWICE AS QUICK, TWICE AS EFFICIENT
TWICE AS HANDY ABOUT THE HOUSE**

To work with any degree of efficiency, a handyman has hitherto needed a workbench, vice, pair of trestles – *and* the space to accommodate them. Even so, his scope has been limited by the struggle to hold things firmly and the difficulty of handling articles of awkward shape or size. And, with a fixed workbench, instead of being able to work ANYWHERE, he has been restricted to only one place.

WORKMATE HAS CHANGED ALL THAT!

Nowadays you do not even need *space* for benches and other equipment. WORKMATE is a fold-away, portable unit which goes wherever the work is. No more trudging to and from the workbench – and just think of the time *that* saves!

A PORTABLE WORKSHOP

WORKMATE, with its many unique features, is more versatile than any combination of conventional workshop equipment. It is a completely stable working surface *and* a vice of giant proportions. It supports the work firmly – even large, limp panels – and holds securely anything from a plank or pipe to a door or cupboard. Sawing, planing, sanding, hammering, drilling have never been so easy. Remember too that, because WORKMATE is free-standing, it can cope with the larger, bulkier things otherwise so hard to handle. It is also the perfect mount for power tools, giving elbow-room all round.

WORKMATE allows a man, with or without a workshop, the fullest expression of his creative skills in the use of tools.



workmate - as good as an extra pair of hands

WORKMATE

Do everything easier, quicker, better!

Apart from being the equivalent of two saw-horses, WORKMATE is additionally:

- ★ a giant 27" x 3" vice with unique taper action.
- ★ a useful and completely stable work surface.
- ★ a bench-type facility when used seated.
- ★ a perfect mount for power tools.

VERSATILITY

The drawings opposite taken from actual photographs, show the enormous flexibility of WORKMATE in making almost any task easy and in handling work of almost any type, shape or size. Being free-standing it can handle really big things like 8' x 4' sheets, 20' planks, cupboards and doors – all of which can overhang or project in any direction, with access from all sides.

THE WORLD'S LARGEST VICE

One important feature of WORKMATE cannot be over-emphasised. It is, in a sense, the world's largest vice, gripping the work securely between its 27" long worktop bars which close with parallel or tapering motion. The vice also makes it easy to attach static power tools and simple extensions of all sorts – thereby still further increasing WORKMATE'S usefulness.

STABILITY

WORKMATE can be carried, folded and erected easily, yet is as solid as a workbench in use, being held firmly in place by the user's own weight.

THE PERFECT HEIGHT

After careful research into the ideal working height, WORKMATE has been made a little higher than a trestle. Sawing, hammering, drilling or boring holes, screwdriving and sanding can be carried out with the greatest ease and comfort, as well as such typically workbench tasks as planing, chiselling and filing. Rather than stand all the time, sitting on one end of WORKMATE can be highly recommended to save bending or steady oneself for intricate work.

SIMPLICITY

WORKMATE is extraordinarily simple to use and many useful ideas are contained in the INSTRUCTION MANUAL provided.

AMBIDEXTROUS

WORKMATE is equally suited to right or left-handed people.

A QUALITY PRODUCT

WORKMATE is a precision-engineered tool, craftsman-built to last and is guaranteed against defective workmanship and materials for FIVE YEARS. WORKMATE, the outcome of inspired new thinking and research in a long-neglected field, has been widely acclaimed by the Press and by satisfied users everywhere. WORKMATE makes you wonder how you ever managed without it!



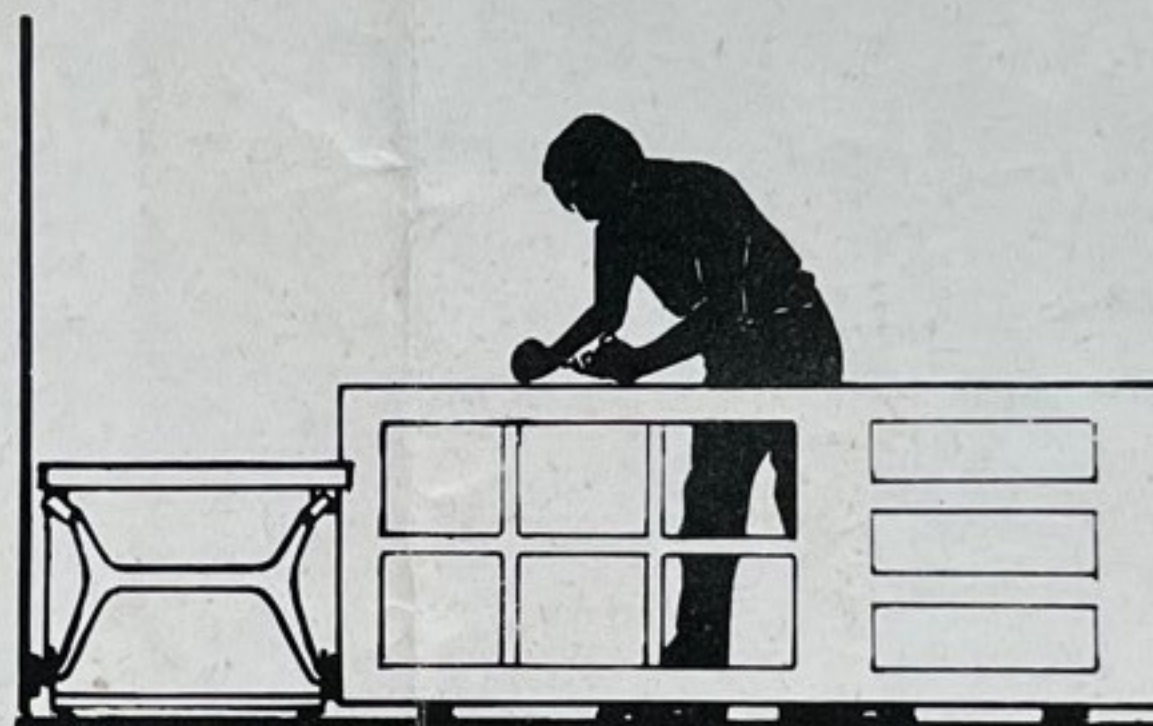
Saw planks, pipes or metal sections. Lay them on top, locate between the bars, or clamp them in.



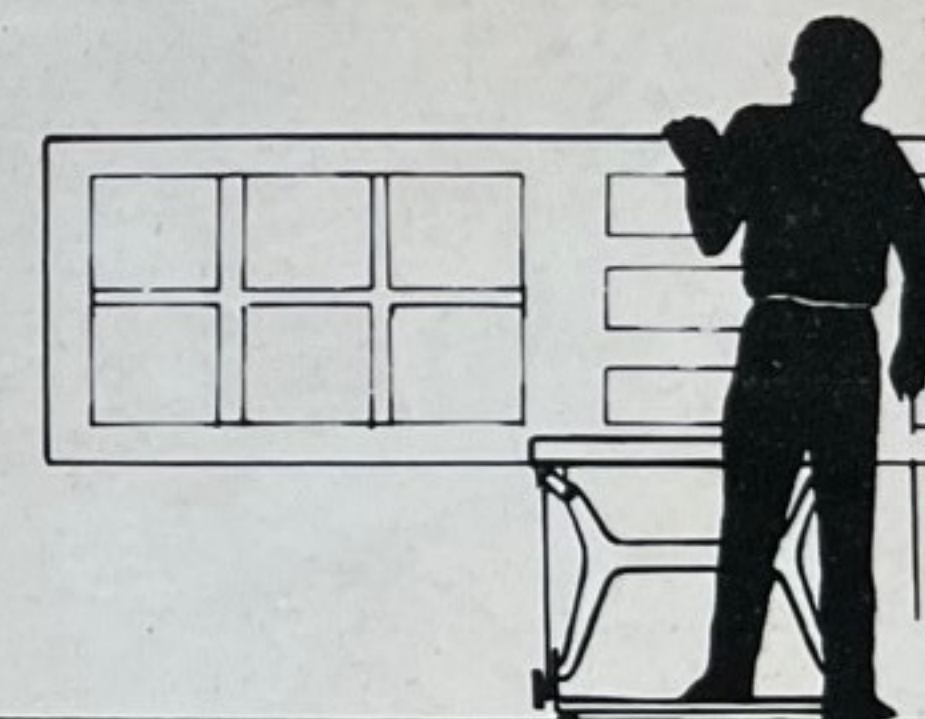
Saw panels up to 8' x 4'. You can hold even the thinnest panels down with ALL your weight, and they cut much better being supported right along the cutting line.



Sawing between the worktop bars gives support on both sides of the cut.

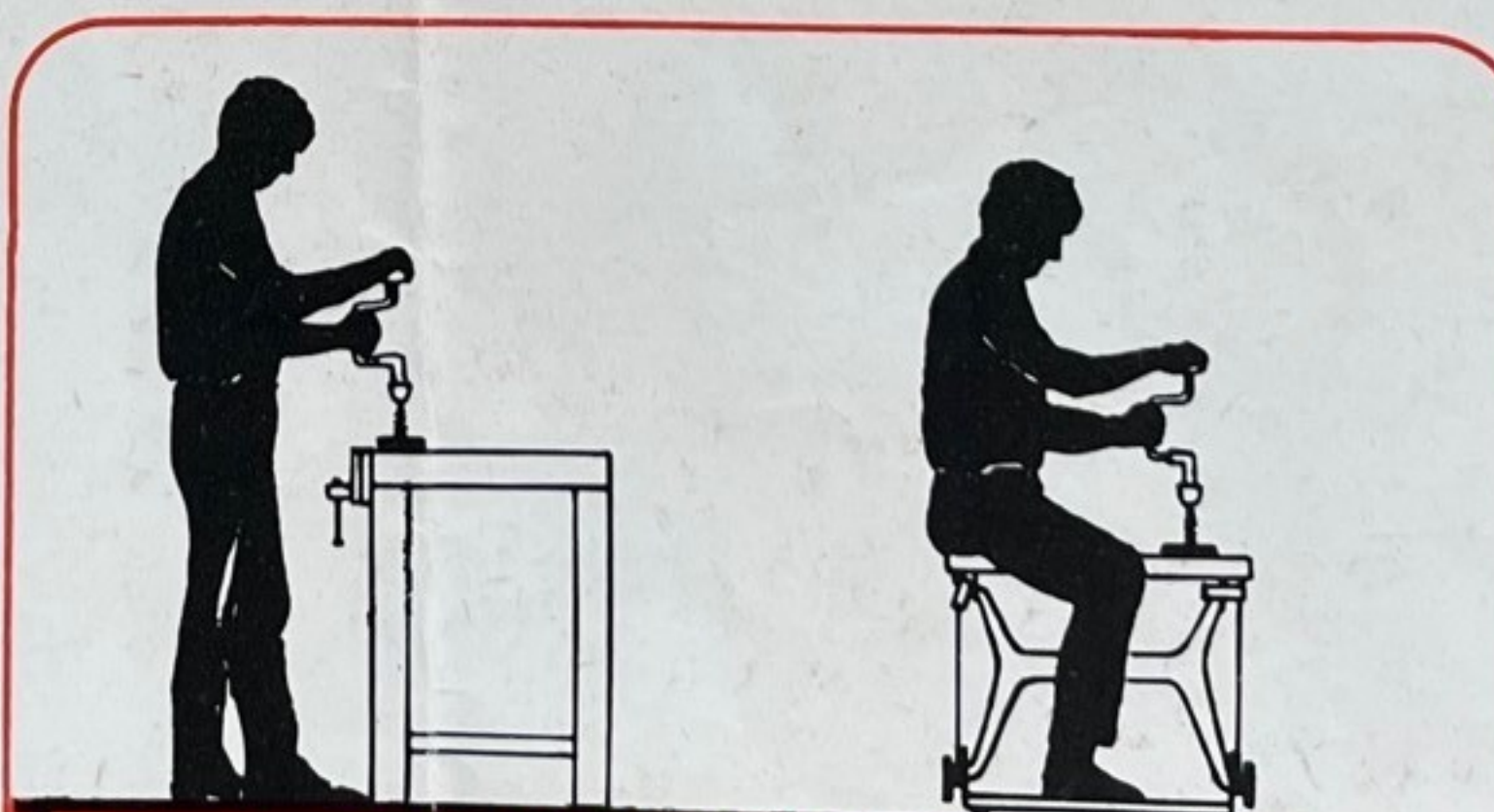


Doors can be gripped in the END of the vice for planing and lock or hinge fitting.



Clamp a door, or window frame, etc. in the vice for trimming or finishing.

Plank
sawing
propp



A PORTABLE BENCH WHEN USED SEATED

SITTING AND WORKING ON WORKMATE puts the user at EXACTLY the same height relative to the work-surface as when standing at a 32" bench.

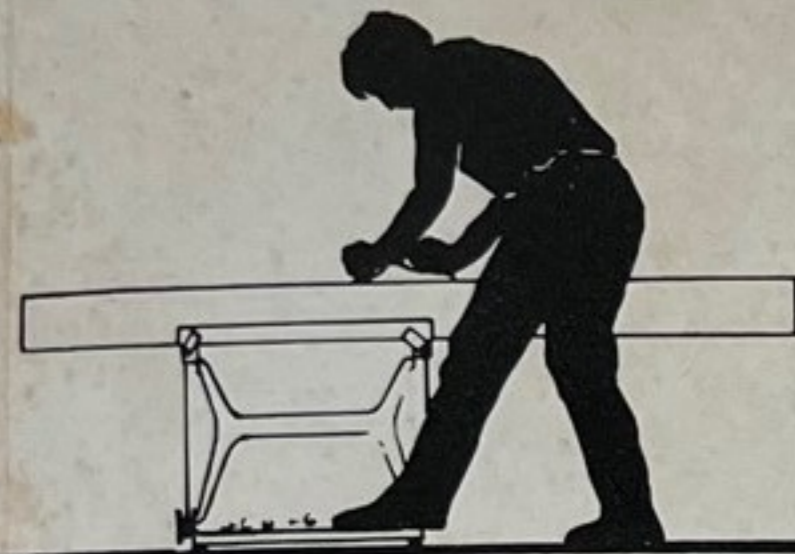


If it's more convenient you can sit – to hammer, drill, screw or assemble things.

Do jointing, c
ing – with the
by WORKMA



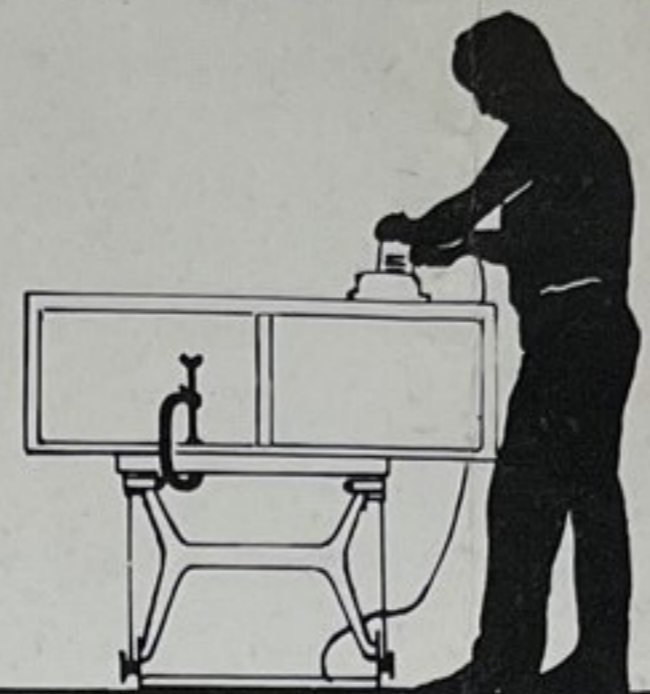
between the bars gives on both the cut.



Ideal especially for planing long planks. Height is comfortable; and user's weight holds unit absolutely firm.



Pieces too shallow or wide for the vice can be held with clamping strips or a simple bench stop. (See back page).



Convenient height for bulky articles.



Planks and panels firmly held for power-sawing or planing, with long overhangs propped up if necessary.



Ideal power-tool mounting at a perfect height. Gives plenty of elbow room. For simple adaptor see back page.



Use as a trestle.



Do jointing, chiselling or carving - with the work held firmly by WORKMATE.



Intricate metal parts are best held with a small portable vice.



If you need more working area, clamp on a simple blockboard extension. (See back page).



Many tools, e.g. grinders, sanders, jigsaws and lathes, can be used comfortably seated.

TEAM-MATE

PORTABLE BENCH TOP AVAILABLE IF REQUIRED

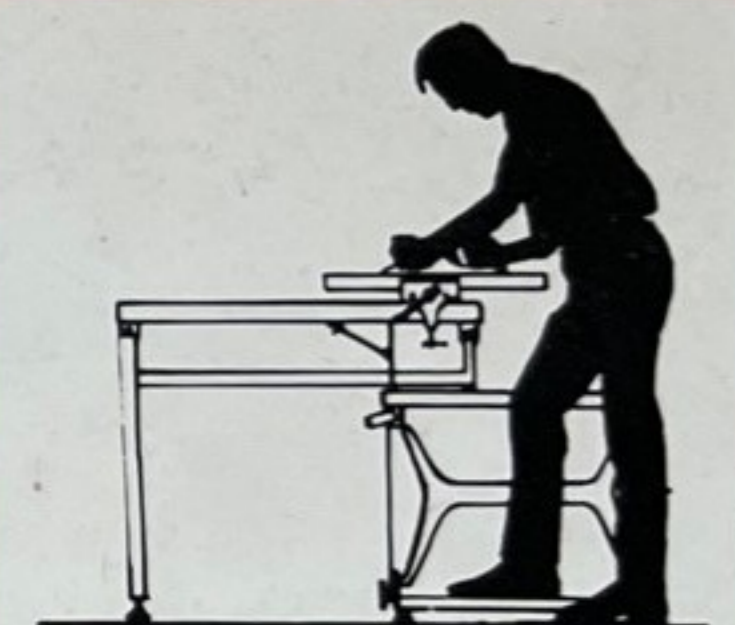
As described and illustrated, WORKMATE has a scope and versatility far in excess of a standard workbench although, on occasions, a conventional height workbench with its larger working area can be of advantage. This applies to the man frequently busy on joinery or carving, metal or electrical work, delicate assembling, model-making. The traditional type of bench, however, needs space and is too heavy to be moved around.

For use when required, therefore, TEAM-MATE a portable benchtop unit is available. It is easily joined to WORKMATE in a choice of no less than 4 L-shaped and 4 in-line positions. WORKMATE still acts as saw-horse, vice or seat at the same time.

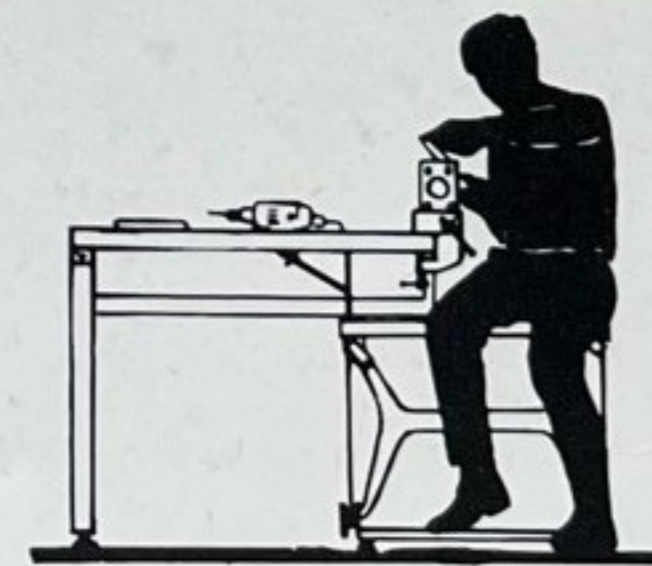
In combination, you have a truly complete and mobile workshop which folds away when not required, needs no permanent space and which is never cluttered like a fixed workbench. TEAM-MATE is also "ambidextrous", allows all-round access to the work, can be used while standing or sitting.



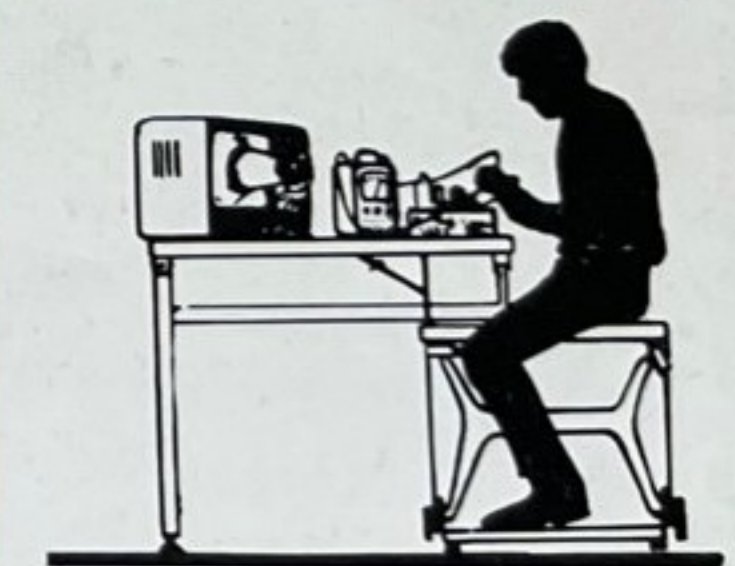
Area: 37½" x 17½". Height: 32". Weight: 32 lbs. 2" Beech top with toolwell. Welded-steel frame; adjustable feet. Folds to 4" thick; hangs on wall.



Ideal for planing, joining, shaping - or any other bench work. Clamp-on or permanent vices can be fitted.



It can be very convenient to sit on WORKMATE when doing any close detail work.



Ideal for any work requiring a large area to lay out tools, equipment or materials.

TEAM-MATE is not designed for use on its own. It depends on Workmate for rigid support - supplemented, when required, by the user's own weight.

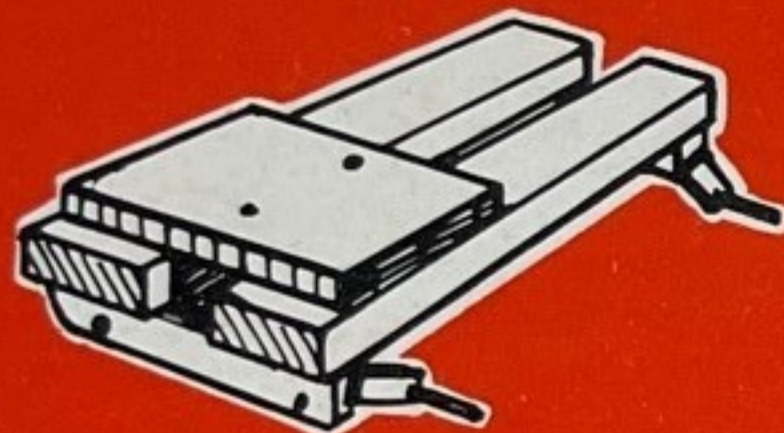
USEFUL, EASILY-MADE EXTENSIONS



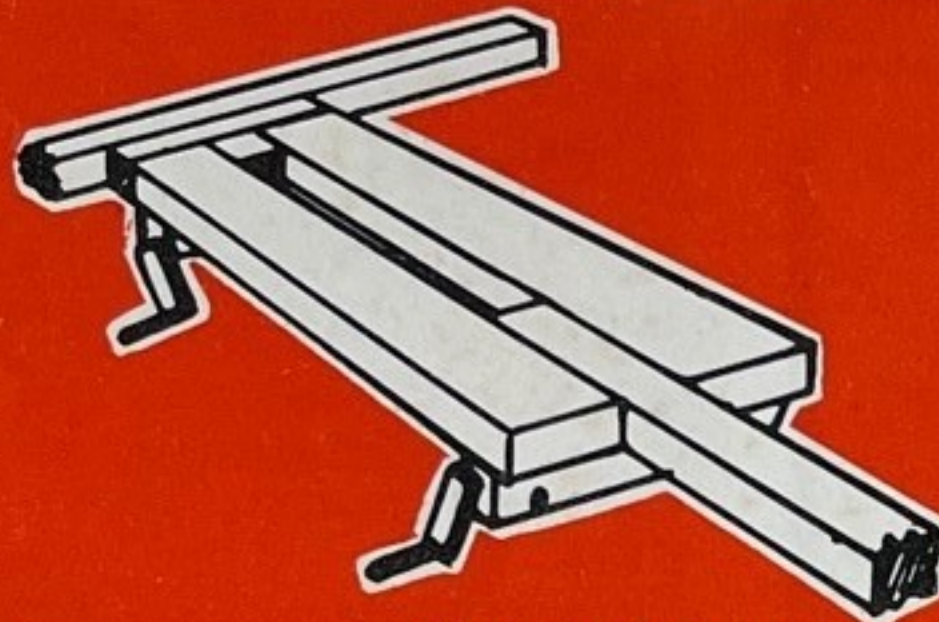
ply-wood bench-stop



for extra vice-width



power-tool mounting



for more support



simple work top extension

A tremendous number of appreciative letters have been received not only from users in the home but from craftsmen in industry as well. The Press has also been generous in its praise of WORKMATE. Following are just a few of these many tributes.

FROM USERS' LETTERS

"Have found the WORKMATE most useful, it has solved all my problems as a handyman".
K.W.F., Croydon

"In this age of gimmickry and gadgets, I feel that I must express my appreciation of the WORKMATE."
N.S.P., Albrighton, Staffs.

"I have now had my WORKMATE for 3 months, and am finding it ever more useful and versatile. Certainly up to your claims for it".
T.C.T., Belfast BT4 3BS

"May I wish you success in marketing this useful and well made tool, which is backed up by an efficient and quick after-sales service".
F.H.A., Liverpool, L16 0JJ

"My husband is delighted with it now we have got it back to Yugoslavia".
J.B.E-K., Dubrovnik

"I used to have to go to a cluttered bench in a damp shed in the garden. I now write to say how glad I am to have a WORKMATE. It makes a D.I.Y. feel a pro".
F.C.S., Brighton, BN2 8AL

"... a really useful addition to my workshop... already I regard it as a friend".
W.J.M., West Bridgford, Notts.

"... I am absolutely delighted with it. It certainly is a wonderfully useful piece of equipment".
H.L., New Jersey, U.S.A.

"... a great success, it does all it claims, and is undoubtedly just what has been needed for years for the Do-It-Yourself".
G.R., Weybridge

PRESS COMMENTS

"Portable so that it can be taken to the job in hand, sturdy when erected but collapsible so that it can be stored in the minimum of space".
MOTOR (January, 1969)

"A brilliant new British invention".
DO-IT-YOURSELF Magazine

"Each of the elements of the WORKMATE have been carefully thought out to increase its flexibility".
DESIGN

"It will be welcomed by the army of home woodworkers who are at present obliged to saw on chairs or plane on the kitchen table..."
PRACTICAL WOODWORKING

"A flash of inspiration to help any home handyman".
GOOD MOTORING

"... A god-send to home handymen who are not blessed with a well equipped workshop...".
DESIGN ENGINEERING

"Designed for anyone who has ever held a hammer..."
MOTOR BOAT & YACHTING

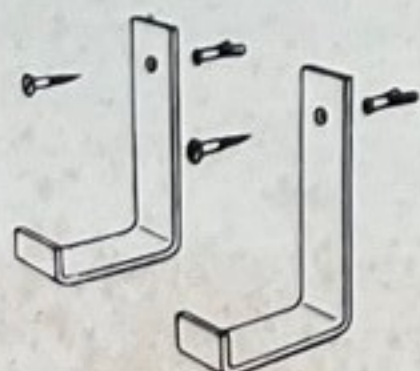
"A joy for the do-it-yourself addict".
BIRMINGHAM POST

"We liked the ingenious WORKMATE".
THE OBSERVER

"The WORKMATE will even handle some things too big for an ordinary workbench... of course the great advantage is you can take it with you anywhere, on any job".
BBC "New Ideas" programme

workmate specification

- Height: 23" Length: 27"
- Working surface: 12½" x 27" (with vice bars open).
- Centre opening adjustable from 0"—3", taper or parallel movements: twin folding handles.
- 1¾" seasoned Beech bars.
- Legs in tough LM6 cast alloy.
- Nylon bushes and corrosion-resistant tool quality finish throughout.
- Adjustable for uneven floors.
- Automatic safety-catch prevents accidental collapse.
- Carrying weight: 32 lbs.
- Folded size: 27" x 27" x 6".

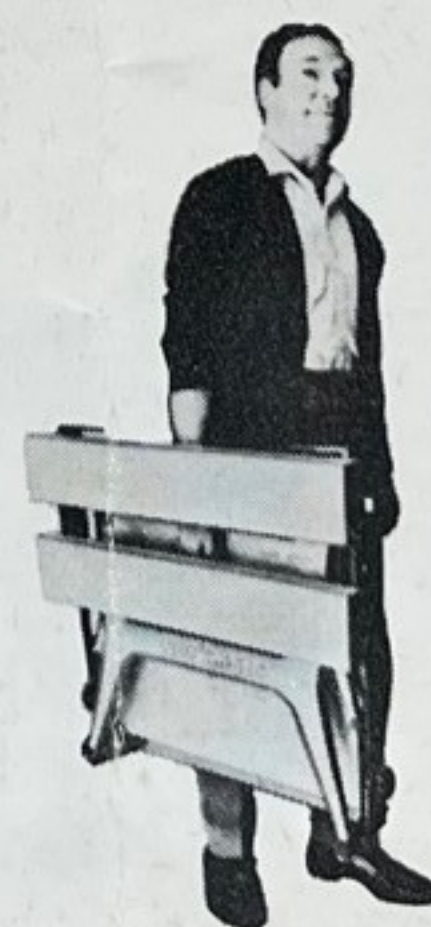


WALLMATE
Metal wall brackets for Workmate or Team-mate.



TIDYMATE
6' x 4' 6" strong flax-canvas floor sheet for tidy working. Olive green, reversible, folds small.

5 YEAR GUARANTEE against defective workmanship or materials



The costs quoted for carriage apply only to the mainland and certain off-shore islands.

10 DAY OFFER

If not completely satisfied, you can return WORKMATE (or Team-mate) within 10 days and cost of goods will be refunded immediately.

PRICES

WORKMATE £17.18.0 (£17.90) plus 18/- carriage.

Credit Terms Deposit £5.0.0 and 7 monthly payments of £2.5.0. Total credit price £20.15.0 (£20.75) including carriage.

TEAM-MATE £14.18.0 (£14.90) plus 18/- carriage.

Credit Terms Deposit of £5.0.0 and 7 monthly payments of £1.15.0 Total credit price £17.5.0 (£17.25) including carriage.

ALSO AVAILABLE

WALLMATE Metal wall brackets for Workmate or Team-mate. Price 10/- plus 2/- post.*

TIDYMATE 6' x 4' 6" strong flax-canvas floor sheet for tidy working. Olive green, reversible, folds small. Price £2.0.0 plus 5/- post.*

*Post not charged when ordered with main equipment.

MATE TOOLS LTD., BREWERY ROAD, HODDESDON, HERTS. Tel: 67890/69626