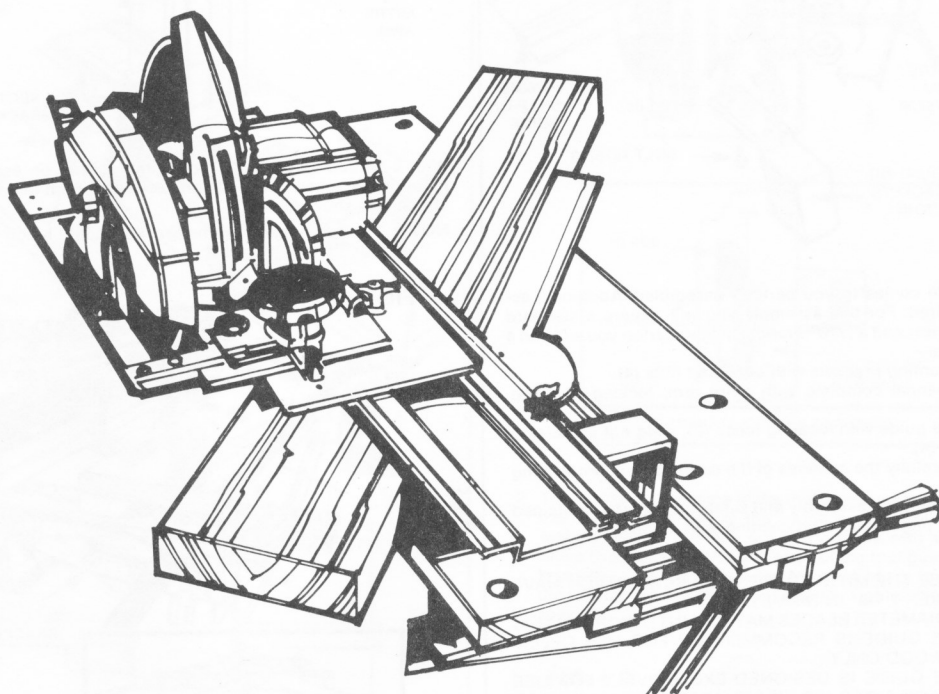


Workmate®



Portable Work Center & Vise Attachment

MITRE & SAW GUIDE 79-012



Your New WORKMATE® Attachment is a quality piece of equipment that has been carefully designed and manufactured to provide years of dependable service.

This Instruction Manual will familiarize you with your Attachment.

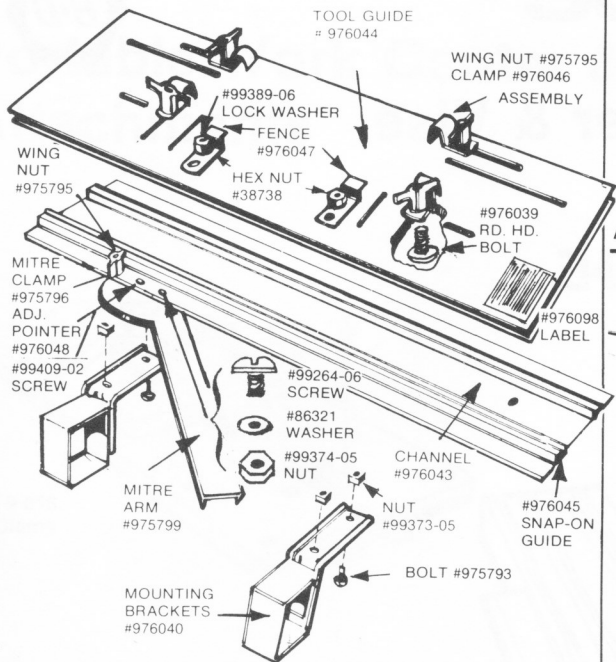
It lists important facts and features which describe your WORKMATE® Attachment's construction and basic operating techniques.

Set-up instructions and various usage situations are also provided.

Read this manual carefully. Only by being totally aware of what your WORKMATE® Attachment can do will you be able to put it to the numerous tasks it is capable of performing.

Black & Decker®

79-012 CONTENTS AND ASSEMBLY



The Mitre Guide comes to you partially assembled. Additional assembly is required. For this assembly you will require a standard slotted screw driver and a 7/16" wrench. In your carton you will find 4 basic assemblies—

1. two (2) mounting brackets with bolts and nuts (4)
2. one (1) channel complete with mitre arm, locking nut, and pointer
3. one (1) tool guide with locating fence (2), wing nut and clamp assemblies (4)

Please check carefully the contents of the carton before proceeding with assembly.

Please read carefully the assembly and safety instructions contained on the following pages before proceeding with assembly.

CAUTION:

1. DO NOT USE THE MITRE GUIDE WITH SAWS WHICH HAVE BLADES OVER 7 1/4" IN DIAMETER (LARGER DIAMETER BLADES MAY CUT INTO WORKMATE®)
2. THE MITRE GUIDE IS RECOMMENDED FOR USE CROSS CUTTING WOOD ONLY.
3. THE MITRE GUIDE IS DESIGNED EXCLUSIVELY FOR USE WITH A BLACK & DECKER WORKMATE® PORTABLE WORK CENTER & VISE.

SAFETY RULES FOR #79-012 MITRE GUIDE

SAFETY RULES

1. Keep saw guides in place and in working order.
2. Keep work area clean. Cluttered areas and benches invite accidents.
3. Don't force tool, it will do the job better and safer at the rate for which it was designed.
4. Use the right tool. Don't force tool or attachment to do a job it was not designed for.
5. Use safety glasses. Also use face or dust mask if cutting operation is dusty.
6. Don't overreach. Keep proper footing and balance at all times.
7. Don't operate unless all clamp handles are tight.
8. Don't use blades larger than 7 1/4" in diameter.
9. Refer to your WORKMATE® and circular saw owners manuals for correct operating and safety procedures.

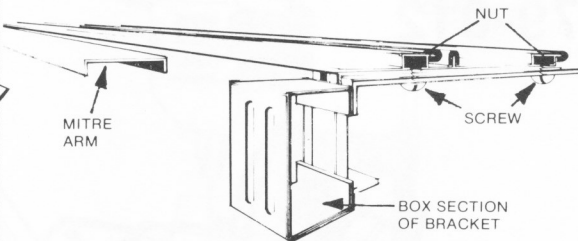
10. Do not cut pieces under 12" long.
11. Keep cord out of the way when making the cut.

MAINTENANCE AND OPERATION

1. Do—Keep tracks and sliding surfaces clean and dry. Periodic cleaning with a brush is recommended.
2. Do—Periodically recheck alignment.
3. Do—Periodically brush tracks to remove built-up dust and dirt.
4. Don't—Use solvents when cleaning tracks.
5. Don't—Oil or grease tracks.

ASSEMBLY OF MOUNTING BRACKETS TO CHANNEL

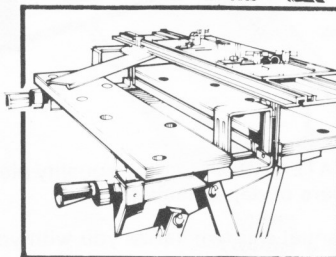
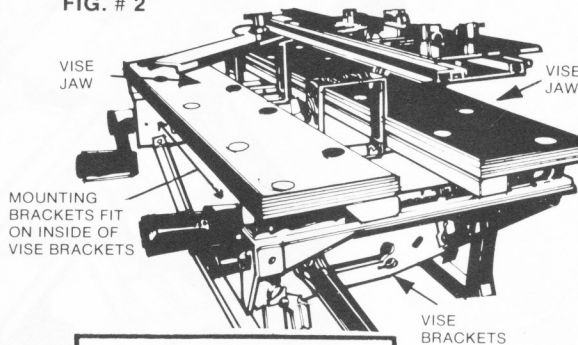
FIG. # 1



With a slotted screwdriver loosen the screws on each of the two mounting brackets and slide one on the bottom of each end of the channel as shown.

NOTE: The box section on the bracket should be on the mitre arm side of the channel.

FIG. # 2



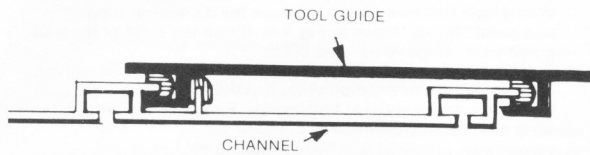
With the WORKMATE® Work Center fully erect, open vise jaws and place box section of mounting brackets between jaws.

- For 29 inch vise jaws the mounting brackets fit inside the vise brackets (see fig. # 2)
- For 23 1/4 inch vise jaws the mounting brackets fit outside the vise brackets (see inset fig. # 2)

Carefully remove unit from between vise jaws—turn assembly over and tighten the four (4) slotted screws on the mounting brackets. (see fig. # 1)

ASSEMBLY OF SLIDING TOOL GUIDE TO CHANNEL

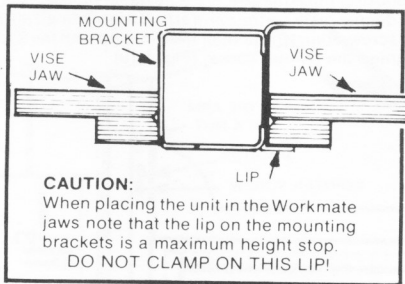
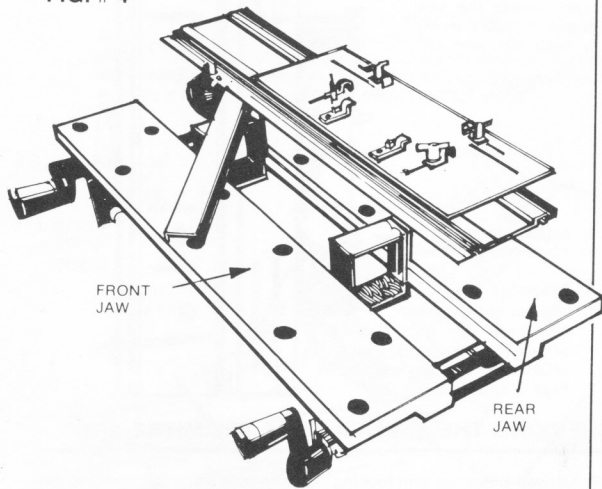
FIG. # 3



The channel and tool guide are made from interlocking extrusions. To attach the tool guide to the channel simply line up the profiles of the extrusions as shown above and slide the two parts together.

MOUNTING THE MITRE GUIDE TO THE WORKMATE® WORK CENTER

FIG. # 4



Place the mounting brackets of the Mitre Guide between the jaws of the WORKMATE®. Tighten each vise screw evenly.

CAUTION
THE MITRE GUIDE MUST OVERHANG THE REAR JAW OF THE WORKMATE® WORK CENTER.

NOTE Do not clamp on the lip of the mounting bracket! (See Insert)

MOUNTING YOUR CIRCULAR SAW TO THE MITRE GUIDE

CAUTION: DO NOT plug in saw until steps 1 through 7 are completed.

1. Remove the tool guide from the Mitre Guide. Measure the dimension "X" on your circular saw as shown in Fig. #5 below.

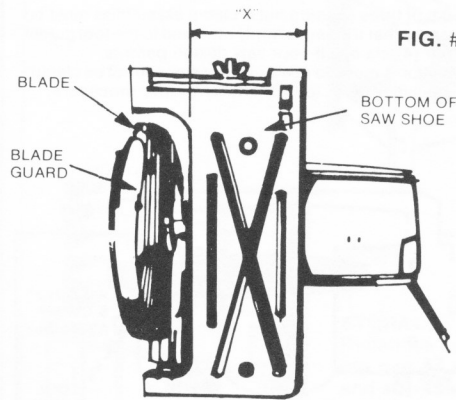
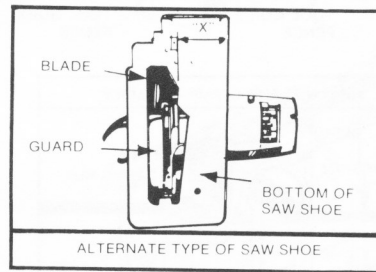
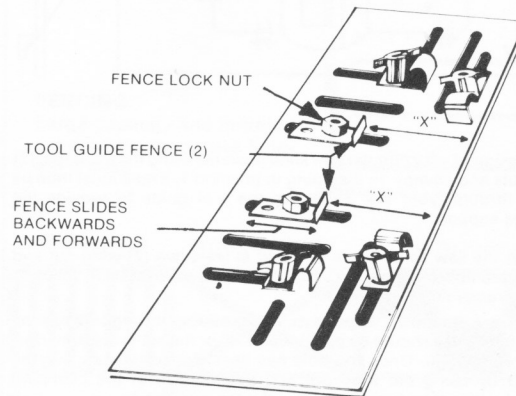


FIG. # 5



2. Transfer this dimension to the tool guide as shown in Fig. # 6 below. This dimension is the rough position of the tool guide fences. Loosen the lock nut of the fence with a 7/16" wrench. Move the fence towards the edge of the tool guide until the distance from the fence face and the edge of the tool guide equals the "X" dimension obtained in Fig. #5. Tighten the fence lock nut securely.

FIG. # 6



MOUNTING YOUR CIRCULAR SAW TO THE MITRE GUIDE (Con't.)

3. In addition to the two (2) tool guide fences, the tool guide is supplied with four (4) wing nut and clamp assemblies. Position the saw on the tool guide as shown in Fig. # 7 and slide the left hand edge of the saw shoe against the two (2) tool guide fences. Using the wing nut & clamp assemblies attach the saw firmly to the tool guide as shown in the insert below.

NOTE: A minimum of three (3) wing nut & clamp assemblies must be used to assure that the saw is firmly attached to the tool guide! Use all four (4) clamps if your saw design permits. Clamp position 1 must be used—if your saw cannot be clamped in this position refer to FIG. # 8 for proper procedure.

FIG. # 7

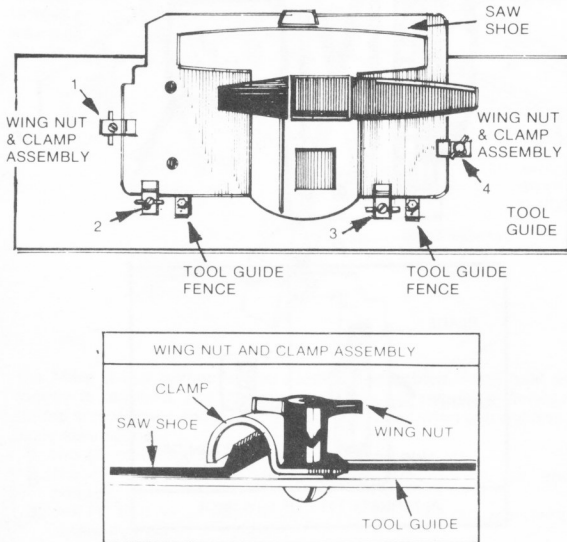
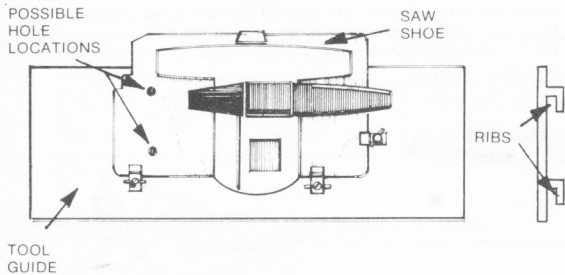


FIG. # 8



If the design of your circular saw shoe prevents using the minimum (3) wing nuts and clamps, or clamping in position 1, a hole must then be drilled through your saw shoe and the tool guide to provide the required support.

Position the saw as in Fig. # 7. Using at least two (2) wing nut and clamp assemblies to hold the saw, select the best location in which to drill the remaining clamp hole.

NOTE: Care should be taken in avoiding drilling through ribs in the tool guide. Holes should be positioned 1/4" or further away from ribs. Drill a 5/16" hole. Once the hole has been drilled the saw may be secured by using the wing nut and bolt portion of the clamping assembly. You may now proceed with step number 4.

4. You now have the circular saw mounted on the tool guide. Turn the assembly over till you are looking at the assembly as shown in Fig. # 9.

With the saw set at 90 degrees, rotate the blade guard until the saw blade is exposed. **(Be sure saw is not plugged in!)**

With a tape measure or rule measure the dimension at point "A" and point "B" as shown in Fig. # 9. (From the edge of the tool guide to the edge of the saw blade).

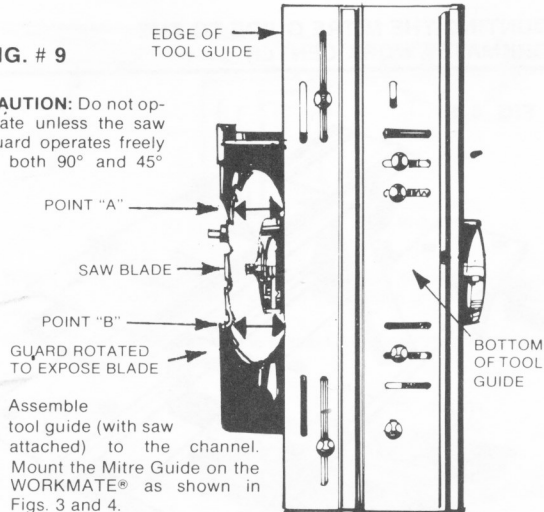
Both dimensions must be equal to ensure that the saw will cut straight. Adjust the position of each of the tool guide fences until this dimension is equal at both points. Firmly tighten all four (4) wing nut & clamp assemblies.

CAUTION—Before proceeding check that the saw guard operates freely at the 90 degree saw setting and at the 45 degree saw setting.

If the guard does not operate freely move the tool guide fences out further to move saw blade further away from tool guide—repeat step # 4 to insure proper operation.

FIG. # 9

CAUTION: Do not operate unless the saw guard operates freely at both 90° and 45°

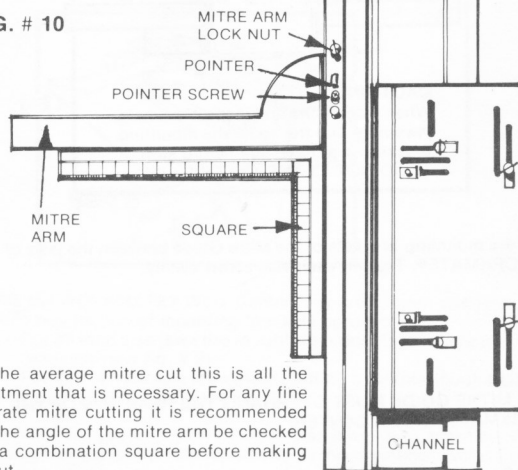


5. Assemble tool guide (with saw attached) to the channel. Mount the Mitre Guide on the WORKMATE® as shown in Figs. 3 and 4.

CHECKING THE ACCURACY OF THE MITRE ARM

6. Loosen the mitre arm locking nut, and with a square, position the mitre arm at 90 degrees to the edge of the channel. Tighten the mitre arm locking nut. Check if the adjustable pointer is lined up with the 90 degree mark on the mitre arm. If it is not lined up, loosen the pointer screw—adjust the pointer till it lines up with the 90 degree mark — tighten the pointer screw. (Fig. # 10).

FIG. # 10



For the average mitre cut this is all the adjustment that is necessary. For any fine accurate mitre cutting it is recommended that the angle of the mitre arm be checked with a combination square before making the cut.

MAKING A TRIAL CUT

CAUTION: THE MITRE GUIDE IS RECOMMENDED FOR USE ONLY WITH WOOD.

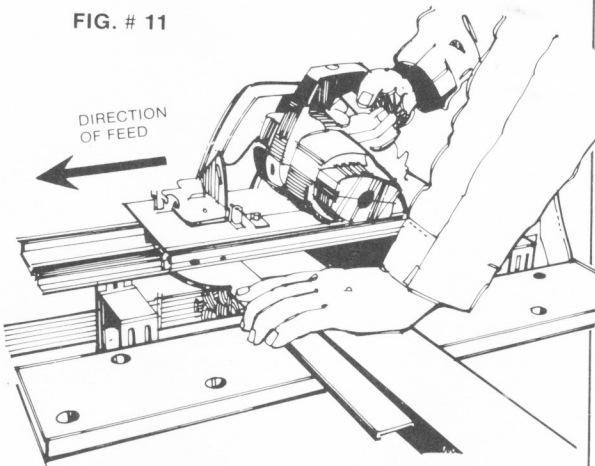
- Loosen the handles of the WORKMATE® Work Center and raise the Mitre Guide to its highest position between the vise jaws. Tighten the handles of the WORKMATE® Work Center.

Slide the wood under the Mitre Guide channel. Loosen the handles of the WORKMATE® and lower the Guide down on top of the wood. Before tightening the WORKMATE® handles raise the Guide slightly to provide approximately 1/16" sliding clearance between the Unit and the wood. Tighten the WORKMATE® handles securely. Set the Mitre arm to the desired angle of cut and lock the mitre arm. Pull the saw back so it is clear of the wood to be cut.

CAUTION: Slide saw along channel to assure that blade and guard at all possible settings do not interfere with any WORKMATE® components before plugging in saw.

Plug in your circular saw. Refer to your circular saw owners manual for proper operating instruction. Hold the wood that you are going to cut tightly against the mitre-arm with your left hand; with your right hand feed the saw into the work in a smooth continuous motion (see fig. # 11).

FIG. # 11

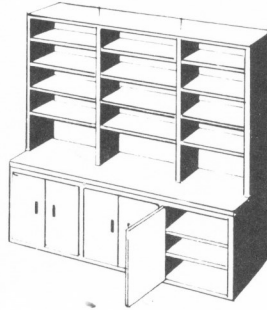
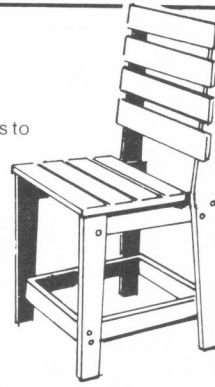


- CAUTION:**
- Support all overhanging loads to prevent WORKMATE® Work Center from tipping.
 - Not recommended for cutting pieces of wood less than 12" long.
 - Assure saw blade is clear of wood before turning on.
 - Do not let cord interfere with saw operation.

MITRE GUIDE — TYPICAL USES

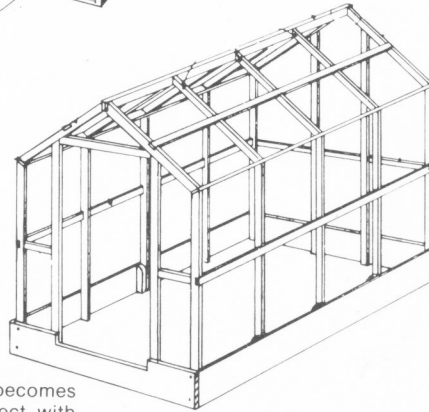
FURNITURE

Make accurate straight cuts to build a rustic chair.



STORAGE

Repetitive cuts for shelving can be done quickly and accurately.



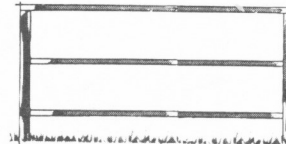
LARGE PROJECTS

Framing a temporary greenhouse becomes a simple project with your Mitremate to cut the angles.

FENCING

Large capacity and mitreing ease, make decorative fencing a snap.

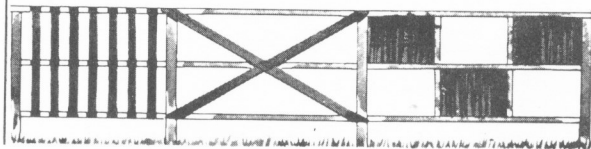
BASIC FENCE



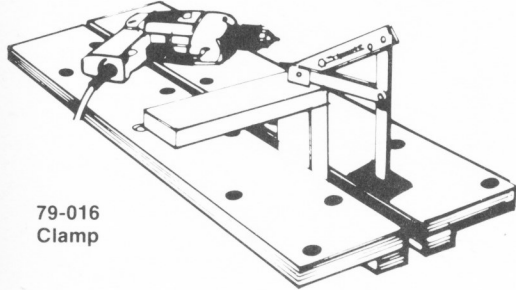
WITH PICKETS

WITH DIAGONALS

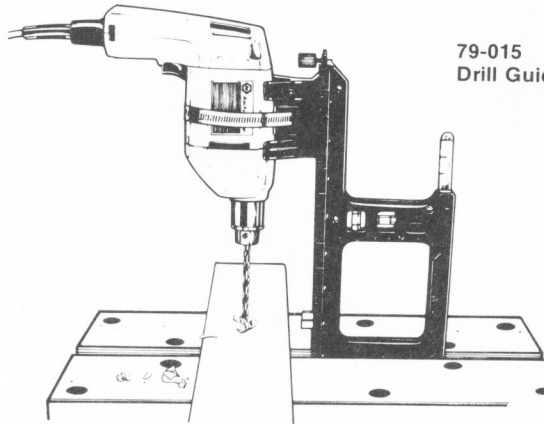
WITH PANELS



Portable Work Center & Vise Attachments

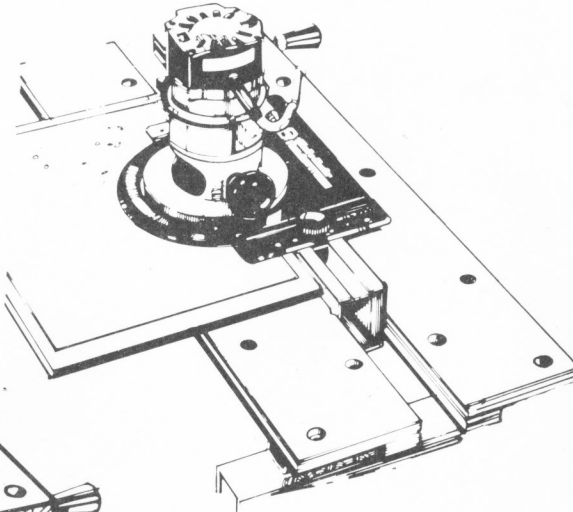
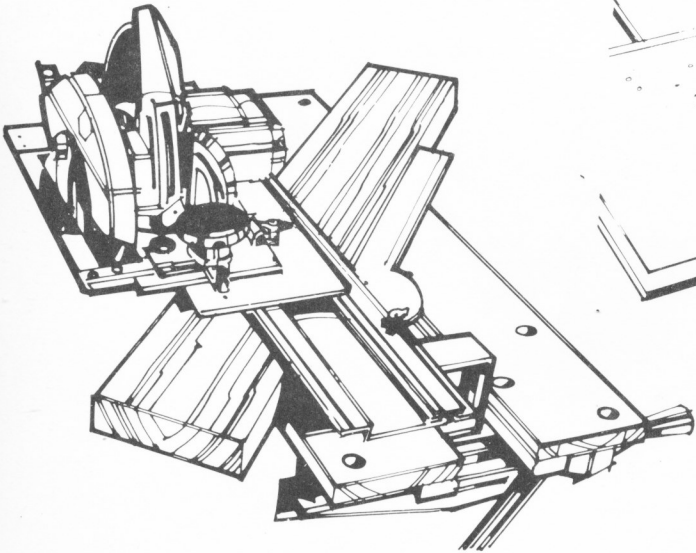


79-016
Clamp



79-015
Drill Guide

79-012
Mitre & Saw Guide



79-013
Router & Shape Guide

Black & Decker (U.S.) Inc., Towson, Maryland 21204 U.S.A.

Form No. 977566

Printed in Canada