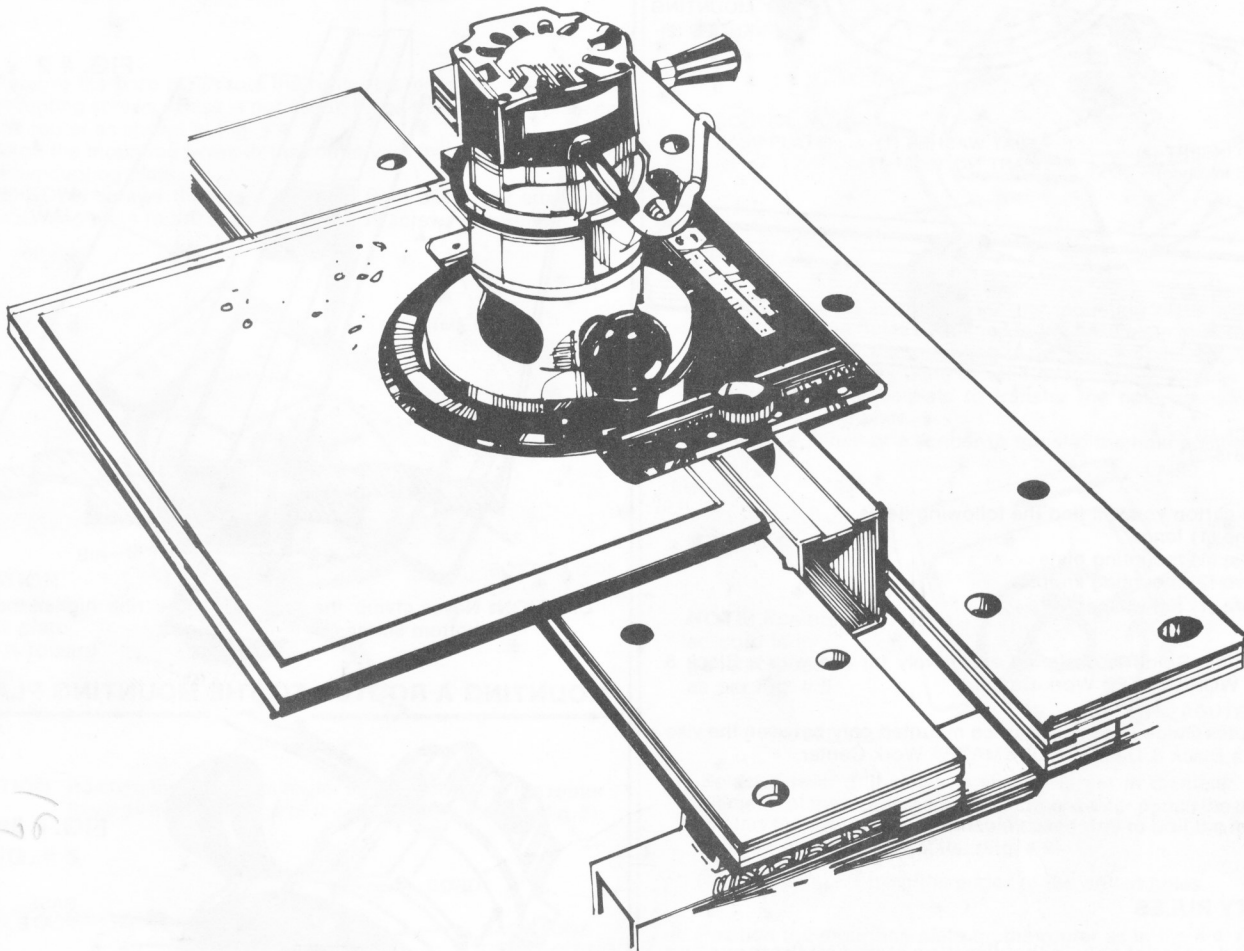


Workmate[®]



Portable Work Center & Vise Attachment

ROUTER & SHAPE GUIDE 79-013



Your new WORKMATE[®] Attachment is a quality piece of equipment that has been designed and manufactured to provide years of dependable service.

This Instruction Manual will familiarize you with your Attachment.

It lists important facts and features which describe your WORKMATE[®] Attachment's construction and basic operating techniques.

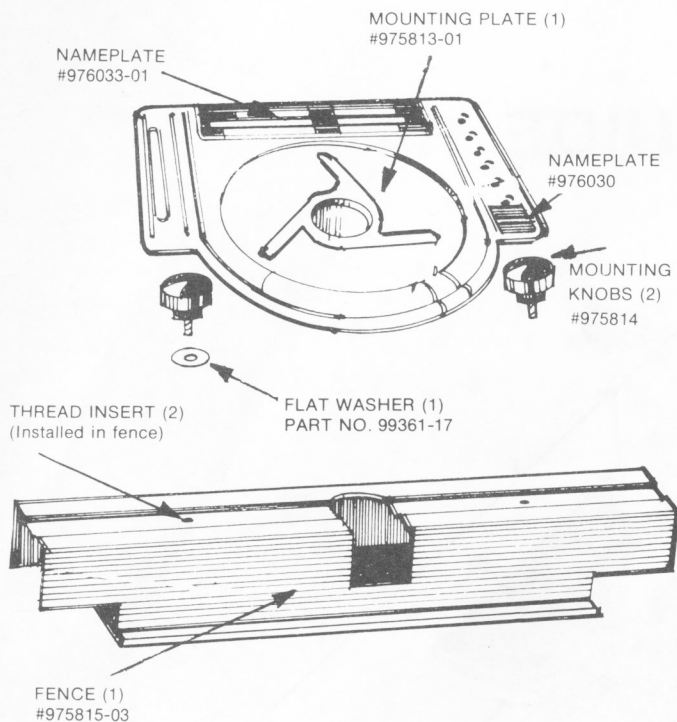
Set-up instructions and various usage situations are also provided.

Read this manual carefully. Only by being totally aware of what your WORKMATE[®] Attachment can do will you be able to put it to the numerous tasks it is capable of performing.

Black & Decker[®]

79-013 CONTENTS AND ASSEMBLY

The Router Guide comes to you partially assembled. Additional assembly is required. Please check carefully the contents of the carton before proceeding with assembly. Carton contents are listed below. Please read carefully the assembly and safety instructions contained on the following pages before proceeding with assembly.



In your carton you will find the following items.

1. One (1) fence
2. One (1) mounting plate
3. Two (2) mounting knobs
4. One (1) flat washer

The Router Guide is designed exclusively for use with a Black & Decker WORKMATE® Work Center.

The Router Guide is designed to be mounted **only** between the vise jaws of a Black & Decker WORKMATE® Work Center.

SAFETY RULES

1. Feed material only in the direction stated on the mounting plate.
2. Support all overhanging loads.
3. Switch router off when not in use.
4. Keep fingers out from under router plate.
5. Use a push stick for short piece cuts.
6. Do not rout on outside edge of material.
7. Make sure bit clears hole in mounting plate and fence.
8. The Router Guide is recommended for use only in cutting wood and wood products.
9. Position the cord from router so it extends from the router towards the back edge of the mounting plate.
10. Never clamp the fence with the ribs higher than the bottom surface of the vise jaws.
11. Wear eye protection when using the Router Guide.

CLAMPING THE ROUTER GUIDE

Clamp the Router Guide fence between the jaws of a WORKMATE® Work Center (fig. #1). The bottom of the fence has two (2) projecting ribs on either side of the fence (fig. #2).

The purpose of the ribs is to provide a max. height stop. Never clamp on the projections. Using the stop a maximum material thickness of 1 5/8" can be cut. (Thickness of a standard 2 x 4).

FIG. # 1

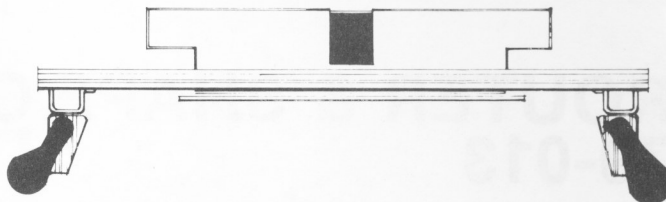
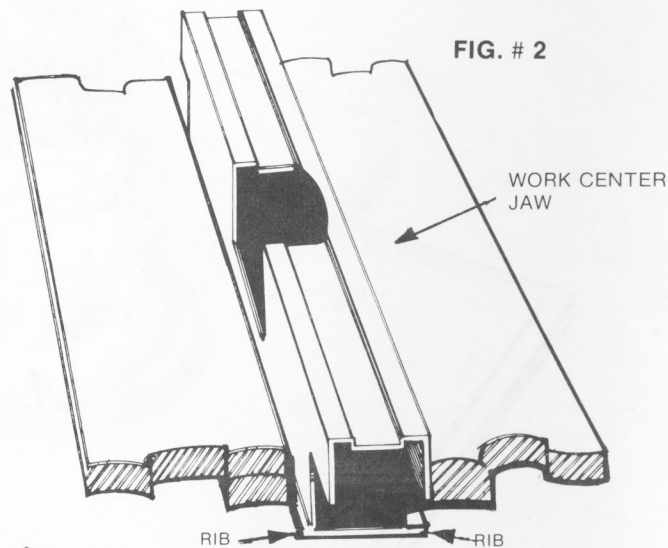
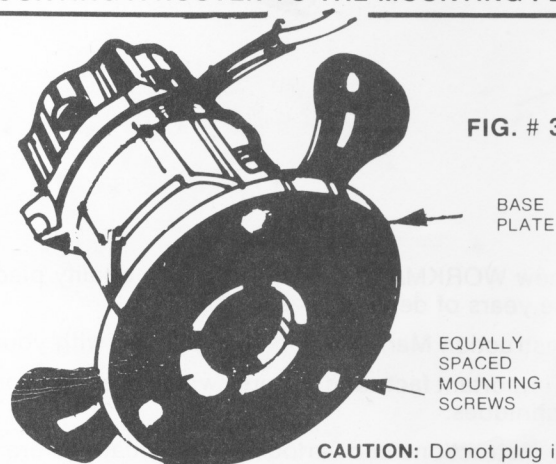


FIG. # 2



CAUTION: Never clamp the fence with the ribs higher than the bottom surface of the vise jaws.

MOUNTING A ROUTER TO THE MOUNTING PLATE



CAUTION: Do not plug in router until step # 11

1. The mounting plate of the Router Guide comes to you with three equally spaced mounting slots. Any router on the market which has a base plate mounted by the use of three equally spaced screws and has a base diameter of six (6) inches or less will fit on the mounting plate without any modification by the user.

MOUNTING A ROUTER TO THE MOUNTING PLATE
(Con't.)

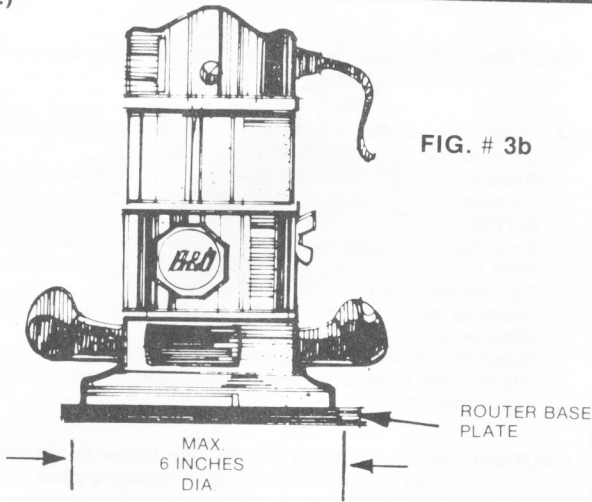
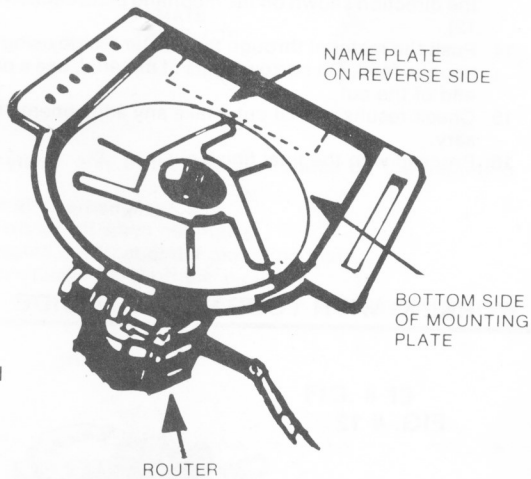


FIG. # 3b

2. Remove the base plate from the router by removing the three (3) mounting screws. (Base is not used). Place the mounting plate on the router as shown in Fig. # 4. Align the mounting holes in the router with the mounting slots in the mounting plate. Using the screws that were removed from the router attach the mounting plate to the router. Tighten all screws securely.

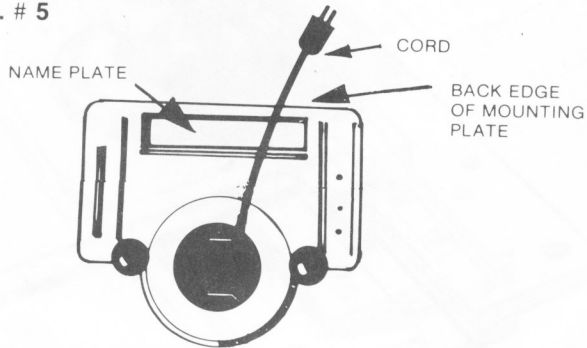
FIG. # 4



CAUTION
Assure that name plate side is toward router.

CAUTION: Position the cord from router so it extends from the router towards the back edge of the mounting plate (see fig. 5).

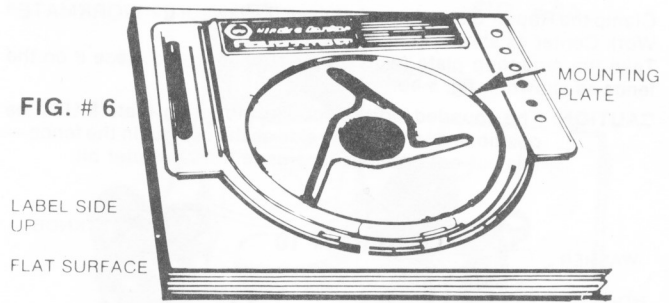
FIG. # 5



3. Many routers on the market have their base plate attached with more than 3 screws. The screw pattern varies from router to router. To mount this type of router to the mounting plate the following steps must be followed.

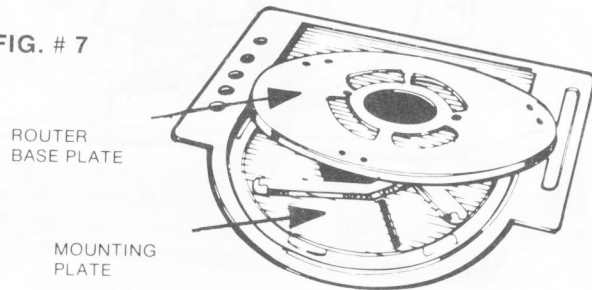
1. Remove the base plate from the router. Retain all screws.
2. Place the mounting plate on a flat surface as shown in fig. # 6.

FIG. # 6



3. Place the base plate on the mounting plate as shown in fig. # 7
4. Center the base plate with the center hole of the mounting plate.

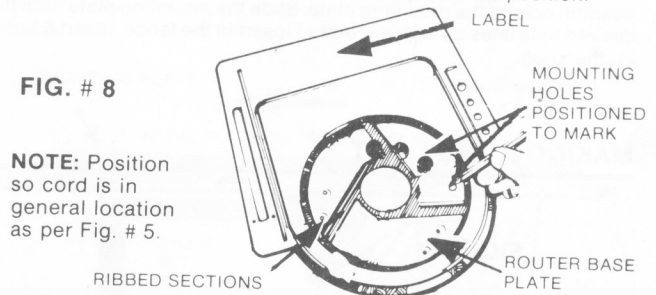
FIG. # 7



5. Rotate the base plate on the mounting plate until all the mounting holes contained in the base plate miss the ribbed sections of the mounting plate. (Fig. # 8).
6. With the base plate located as in Figs. 7 & 8 use the base plate as a template to transfer the hole positions to the mounting plate.

*Use a pencil or a scribe to transfer the hole position.

FIG. # 8



NOTE: Position so cord is in general location as per Fig. # 5.

7. Select a twist drill which is slightly larger in diameter than the diameter of the mounting screws. Either center punch the positions to start the drill or use a variable speed drill to drill the mounting holes in the mounting plate. (Fig. # 9)

Remove all burrs from the edges of the drilled holes.

8. Position the mounting plate on the router as in fig. # 4. Align the screws and tighten all screws securely.

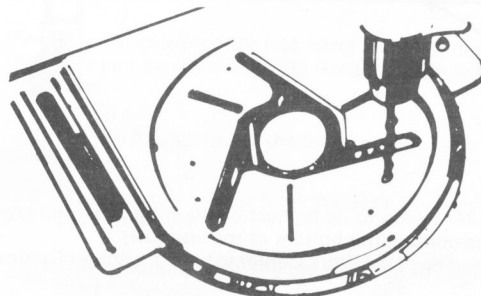


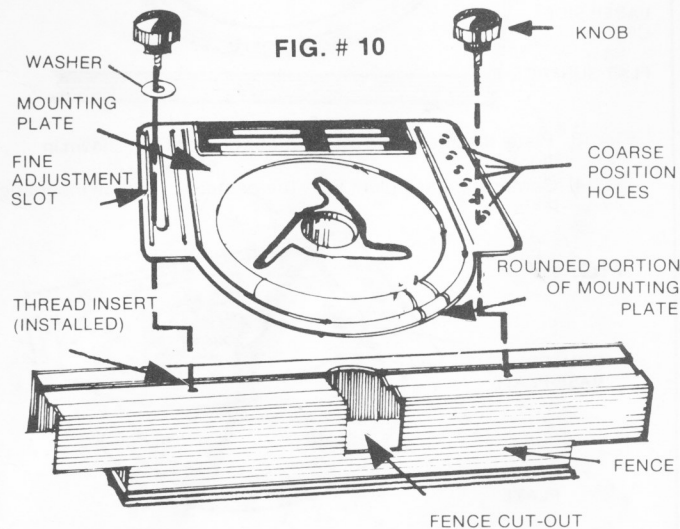
FIG. # 9

Centre Punch and/or use a variable speed drill to drill holes for the base plate.

SETTING UP THE ROUTER GUIDE

Clamp the Router Guide fence between the jaws of the WORKMATE® Work Center as shown in figs. 1 and 2. Take the mounting plate (with router attached) and place it on the fence as shown in fig. # 10.

CAUTION: The rounded portion of the mounting plate **MUST** be positioned on the same side as the cut-out in the fence — this cut-out provides clearance for the router bit.

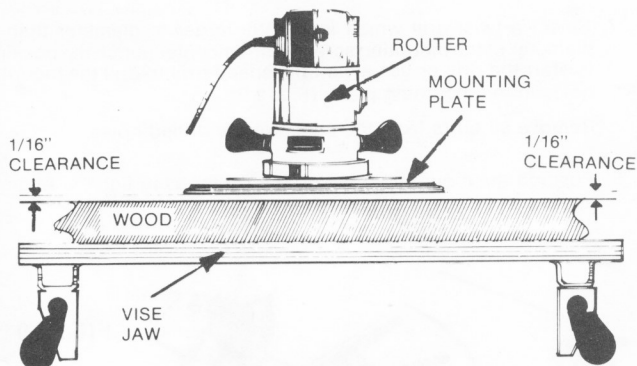


Take one (1) mounting knob. Insert washer on thread. Insert the threaded portion of the knob through the slot of the mounting plate into the thread insert of the fence. Thread the knob into the insert (do not tighten completely).

Take the remaining mounting knob and select the desired coarse position hole in the mounting plate. Slide the mounting plate until the desired hole lines up with the thread insert in the fence. Insert & tighten the knob.

MAKING A TRIAL CUT

FIG. # 11



1. Raise the Router Guide to its highest position between the jaws. (Until stop ribs contact the bottom of the vise jaw).
2. Tighten the handles of the Work Center to hold the Router Guide at this position.

3. Place the material to be cut on the top of the vise jaw and below the mounting plate.

CAUTION: The Router Guide is recommended for use only in cutting wood and wood products.

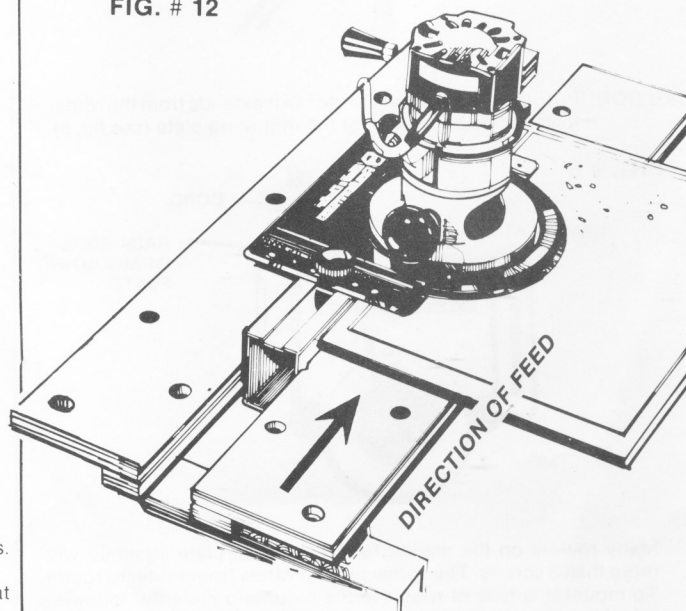
4. Loosen the handles of the Work Center and lower the Router Guide down to the top surface of the material.
5. Raise the Router Guide approximately 1/16" above the surface of the material to provide clearance for sliding, material warpage etc. **NOTE!** If your router is equipped with two flat spanner wrenches, these can be utilized as shims to set the clearance evenly on both ends of the mounting plate. Remove before operating unit.
6. Tighten the Work Center handles securely.
 - *Refer to the owners manual of your Work Center for correct operating procedure.
7. Select the desired router bit and attach it to your router.
 - *Refer to the owners manual of your router for the correct operating procedures.

CAUTION: Before changing bits be sure router is not plugged in. Make sure bit clears hole in mounting plate and fence.

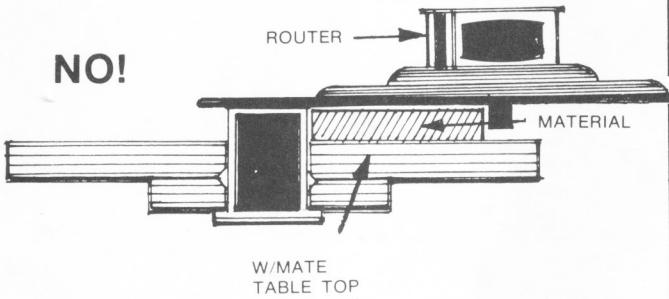
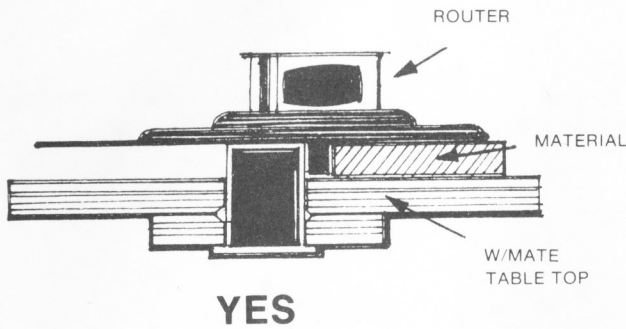
8. Using the coarse and fine adjustment on the mounting plate, position the router to make trial cut.
9. Tighten the mounting knobs securely.
10. Remove the material from beneath the mounting plate.
11. Adjust the depth of cut on the router.
 - *Refer to router owners manual for proper instructions.
12. Plug in router — select a scrap piece of material of correct thickness to take a trial cut. Turn on router.
13. Feed the material along the fence and under the mounting plate in the direction shown on the mounting plate caution label. (See Fig. 12).
14. Push the material through the Router Guide using a smooth continuous feed. On narrow strips of material, use a push stick at the end of the cut.
15. Check results of trial cut. Make any adjustments that are necessary.
16. Proceed with the final finish cut.

WORKING WITH YOUR ROUTER GUIDE

FIG. # 12



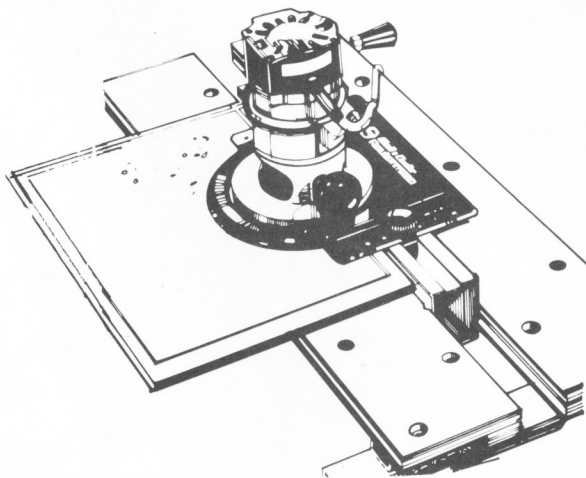
WORKING WITH YOUR ROUTER GUIDE (Con't.)



CAUTION:

- Feed material only in the direction stated on the mounting plate.
- Support all overhanging loads.
- Switch router off when not in use.
- Keep fingers out from under mounting plate.
- Use a push stick for short piece cuts.
- Do not run on outside edge of material. (See above)

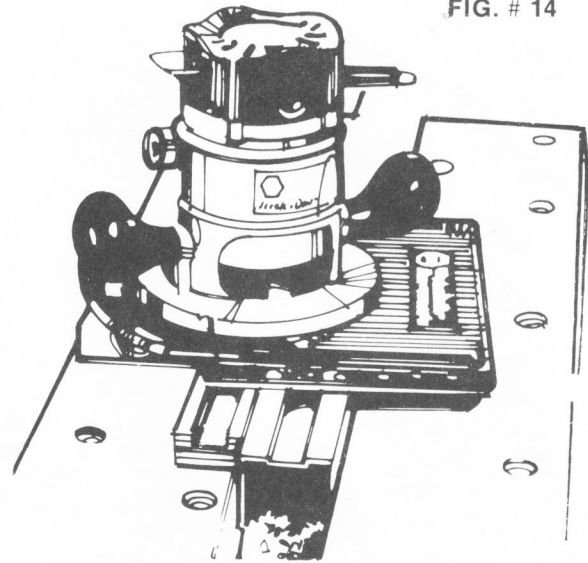
FIG. # 13



ROUTES EDGES

Routes edges easily and accurately. Leaves hands free to feed material for smooth professional results.

FIG. # 14

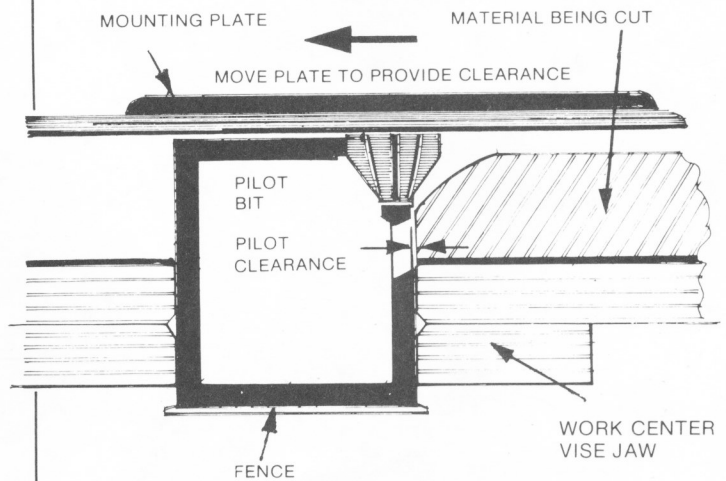


FOR CUTTING MOLDING

Designed for smooth, quick cutting of beading, dadoes and free-hand routing and design work.

USING PILOT BITS WITH THE ROUTER GUIDE

FIG. # 16



Pilot bits are designed for free hand use on a router. Pilot bits can be used with the Router Guide with the following instructions.

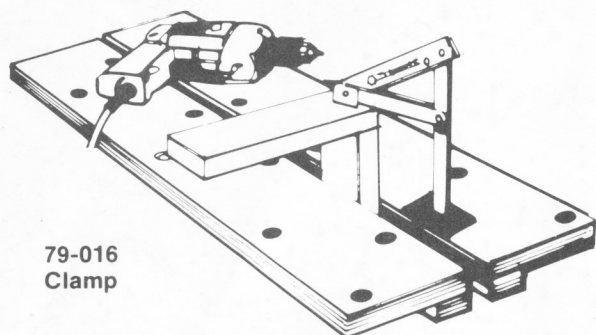
1. On the Router Guide the fence guides the work & positions the cutter.
2. Move the cutter away from the work. Just enough so the pilot will not rub & burn.

The difference in shape produced is so slight it will not be noticed.

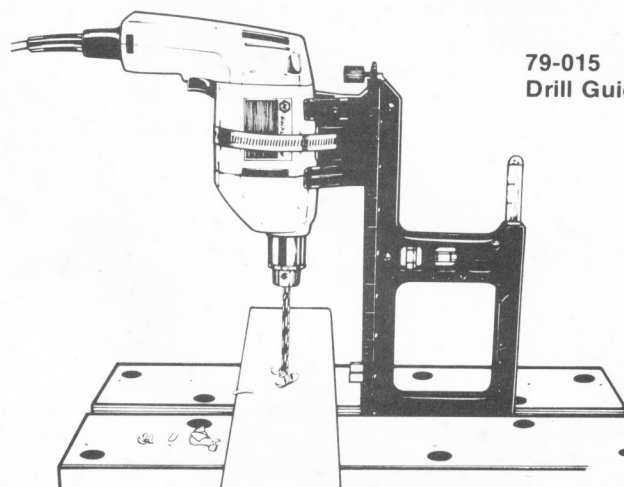
Workmate®



Portable Work Center & Vise Attachments

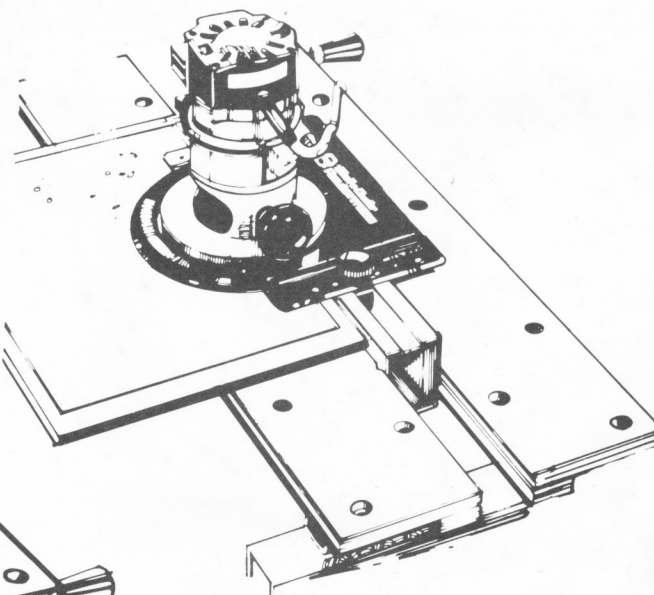
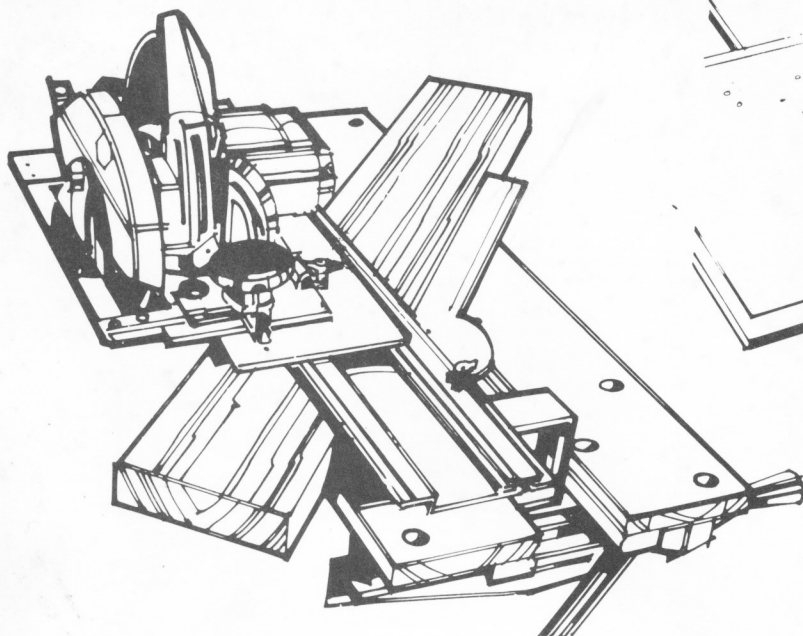


79-016
Clamp



79-015
Drill Guide

79-012
Mitre & Saw Guide



79-013
Router & Shape Guide

Black & Decker (U.S.) Inc., Towson, Maryland 21204 U.S.A.