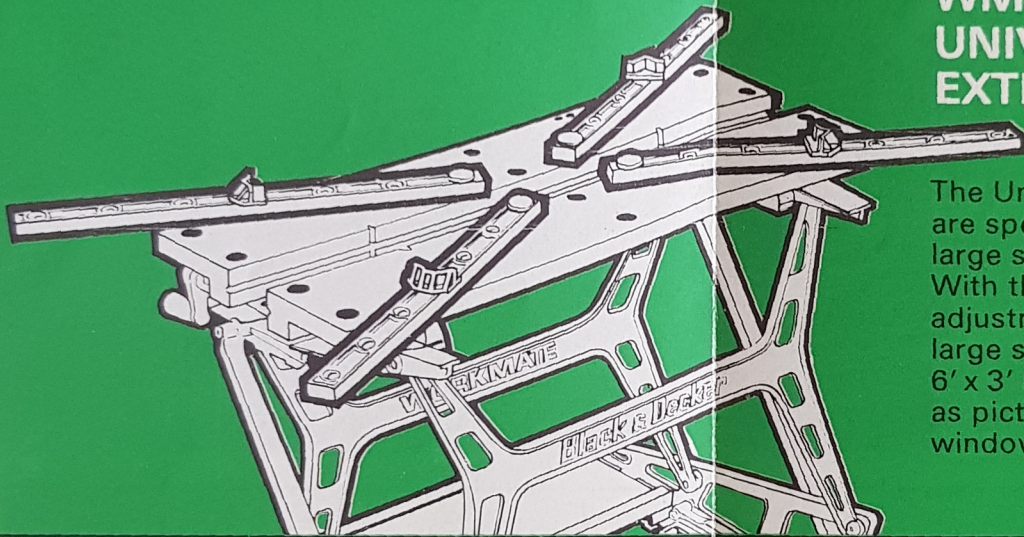
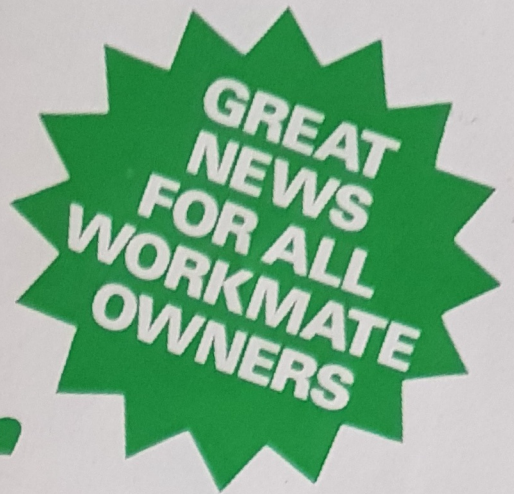


A BRAND NEW RANGE OF

Black & Decker

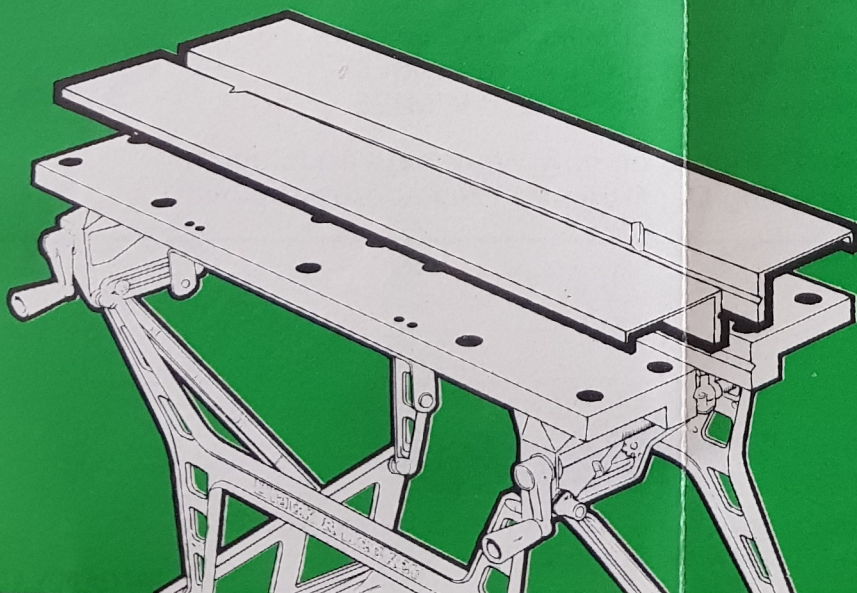
Workmate attachments

GIVES ADDED VERSATILITY TO YOUR WORKMATE



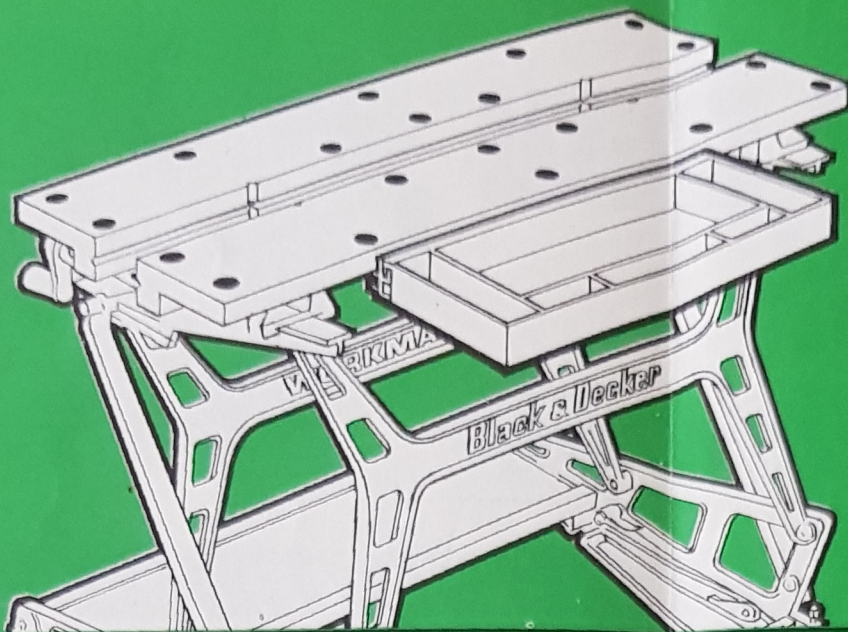
WM110 WORKMATE UNIVERSAL EXTENDER ARMS

The Universal Extender Arms are specially designed to hold large sheets of wood securely. With their wide range of adjustments they will accept large sheets of wood up to 6' x 3' and such difficult items as picture frames, doors and window frames etc.



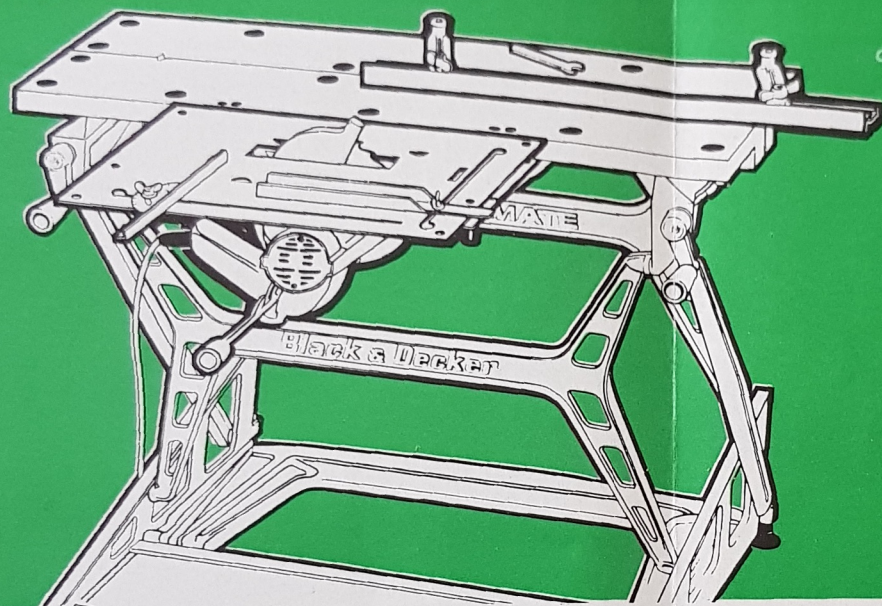
WM120 WORKMATE METAL VICE CLADDING

The Metal Vice Claddings fit simply over the Workmate vice jaws and give surface protection from oil, grease, scuffing etc., and allow light gauge sheet metal bending and metalwork. The vice claddings have horizontal and vertical 'V' grooves for holding tubes and conduit.



WM130 WORKMATE TOOL TRAY

Holds small tools, nuts, bolts, screws, pencils etc., to keep the work surface uncluttered.



WM140 WORKMATE SAW TABLE

A Saw Table which fits easily to your Workmate and accepts any Black & Decker home user circular saw or saw attachment. The Saw Table includes mitre guide, large and small rip fences, screws and fixing brackets.

These are the first of a range of attachments which will extend the versatility of your Workmate. They are all designed for easy fitting and removal and may be used with all Black & Decker Workmates except WM125.

If you have any comments or ideas on new Workmate attachments please write to the Marketing Department at the address below.

Black & Decker

Black & Decker Limited, Cannon Lane, Maidenhead, Berks. SL6 3PD.
Tel: Littlewick Green 2130.

898715 BDV 674.100K