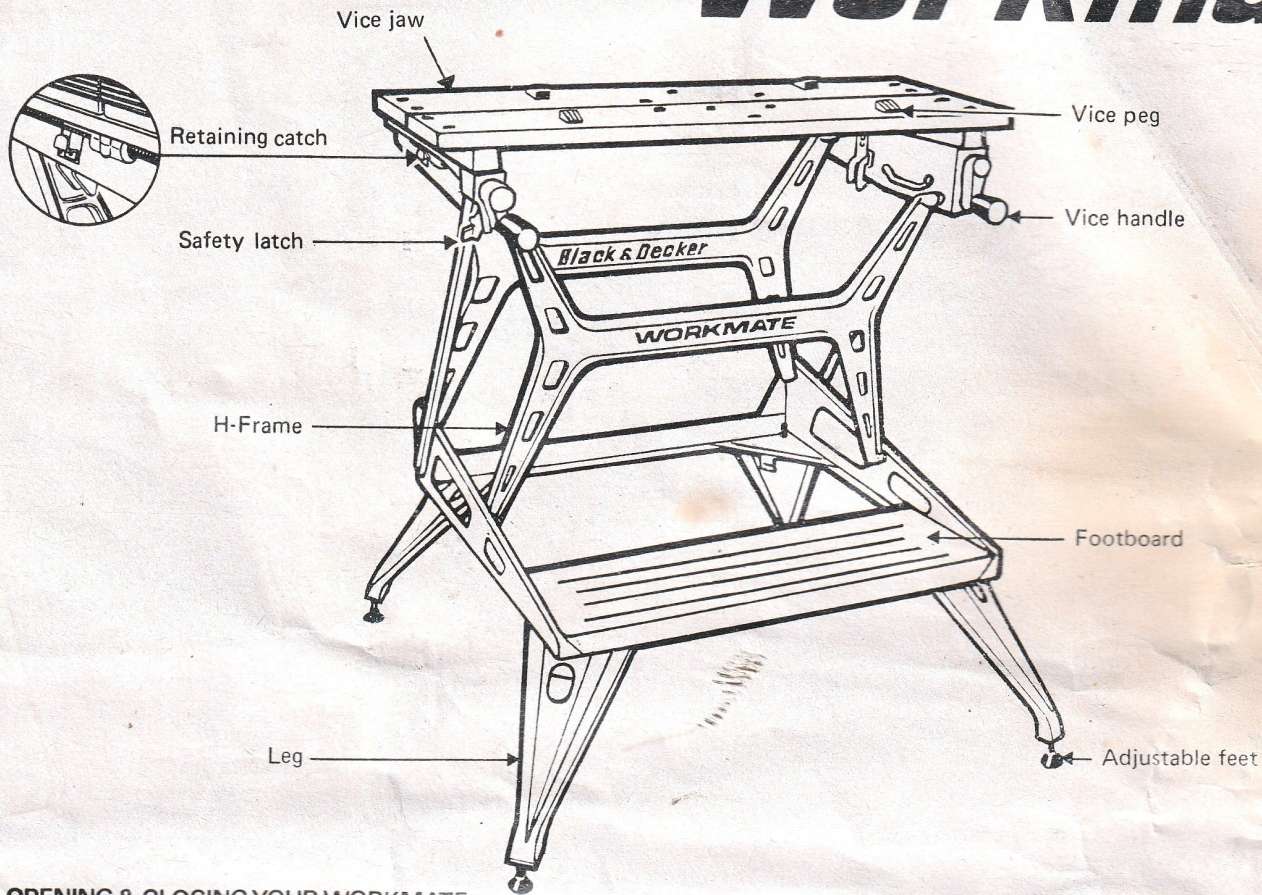


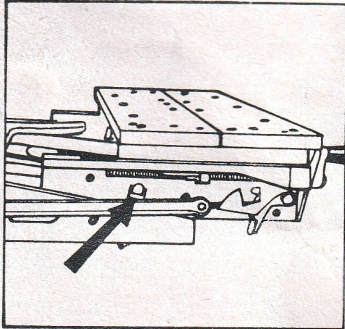
Black & Decker

Workmate

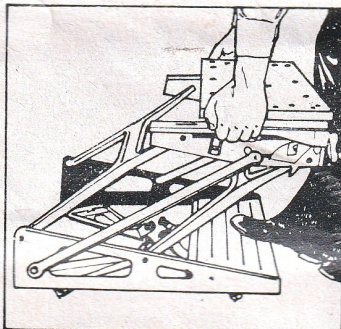
MODEL WM625



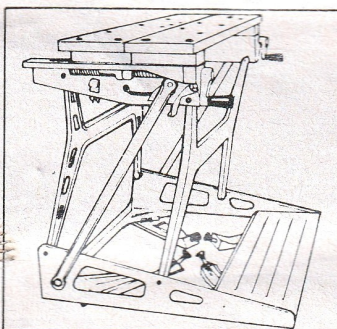
OPENING & CLOSING YOUR WORKMATE



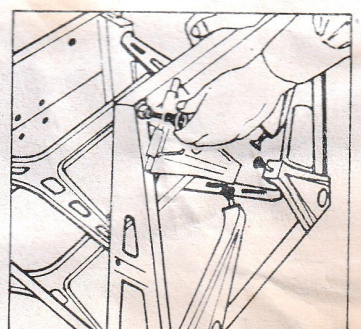
Place Workmate on floor as illustrated. Locate retaining catches on either side and press firmly to release catch.



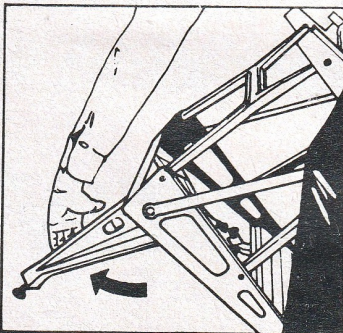
Place foot on footboard and raise unit to full height.



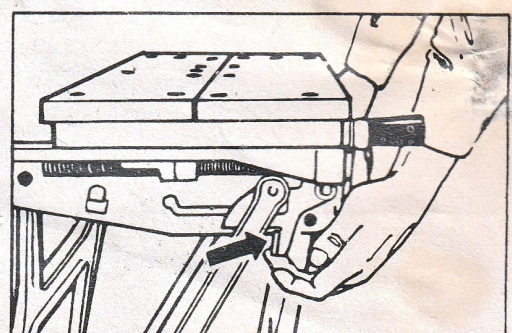
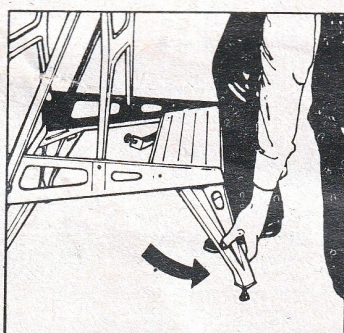
Continue to lift until safety latches lock and are fully engaged. This is trestle height.



Screw in feet can be assembled as shown above.



To increase to bench height, pull out each of the four legs and ensure they lock. Adjust feet to give maximum stability. N.B. When moving your Workmate in the bench height position, take care not to knock the legs out of the locked position.



To close your Workmate, locate safety latches on both sides of the unit. Release the latches, push unit forward and away from you until the latches released. Lower gently to the closed position.

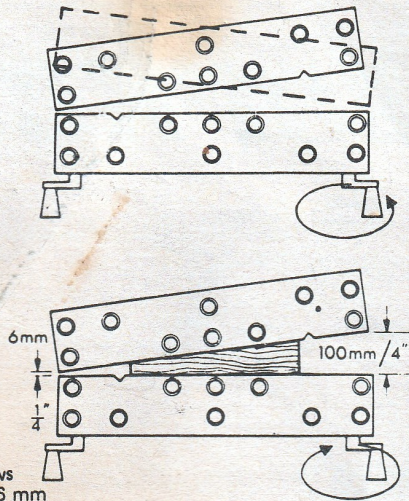
VICE JAW ACTION

VICE JAWS

The vice jaws of your Workmate are made from specially selected ply for long, trouble-free operation.

TAPER ACTION

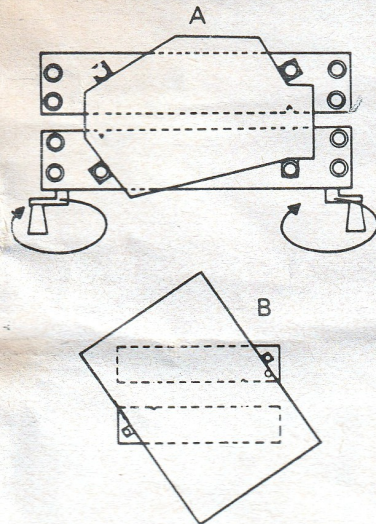
A major feature of the Workmate is that each end of the movable vice jaw is independently adjustable. A tapered workpiece can therefore be held securely between the vice jaws on the Workmate. Within the total vice jaw opening of 100 mm (4") the amount of taper is infinitely variable.



N.B. To avoid damaging vice jaws ensure there is a gap of at least 6 mm between the jaws before using taper action. See illustration.

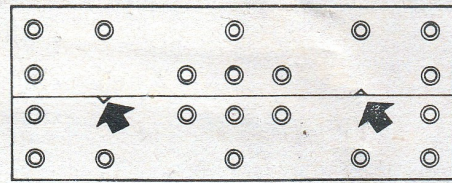
VICE PEGS

4 Vice pegs are supplied with your Workmate. These fit into the holes machined into the vice jaws and permit large and unusually shaped objects to be handled (A and B).



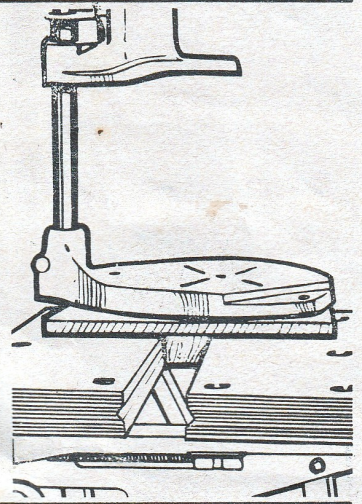
PIPE GROOVES

Special grooves have been machined in the gripping surfaces of the vice jaws vertically and horizontally to enable tubular objects such as copper and plastic pipe, guttering, rods, etc., to be gripped with ease.



POWER TOOLS

Power Tools and Attachments can be clamped within the vice jaws by using a wooden board screwed to a batten.



ATTACHMENTS

WM110 WORKMATE UNIVERSAL EXTENDER ARMS

The Universal Extender Arms are specially designed to hold large sheets of wood securely. With their wide range of adjustments they will accept large sheets of wood up to 6' x 3' and such difficult items as picture frames, doors and window frames etc.

WM120 WORKMATE METAL VICE CLADDING

The Metal Vice Claddings fit simply over the Workmate vice jaws and give surface protection from oil, grease, scuffing etc., and allow light gauge sheet metal bending and metalwork. The vice claddings have horizontal and vertical 'V' grooves for holding tubes and conduit.

WM130 WORKMATE TOOL TRAY

Holds small tools, nuts, bolts, screws, pencils etc., to keep the work surface uncluttered.

WM140 WORKMATE SAW TABLE

A Saw Table which fits easily to your Workmate and accepts any Black & Decker home user circular saw or saw attachment. The Saw Table includes mitre guide, large and small rip fences, screws and fixing brackets.

Warning 1

The vice jaws are used to grip the workpiece and are capable of exerting tremendous pressure and leverage. It is important, therefore, not to apply excess force to the vice adjusting handles, otherwise damage may be caused to the workpiece, particularly if it is of soft or delicate construction.

Warning 2

Although the Workmate can be used to provide a secure and safe mount for power tools and attachments it is important always to disconnect the power tool from the mains supply when making adjustments.

Care and Maintenance

From time to time it is advisable to apply a few drops of light machine oil to the screw threads of the vice jaw adjusting mechanism.

Guarantee

In common with other Black and Decker products, the Workmate is fully guaranteed. Full details are given on the guarantee card supplied with the Workmate.

In keeping with our policy of continued product improvement, Black and Decker reserve the right to alter the specification and prices of the Workmate without notice.

Black & Decker

Workmate