



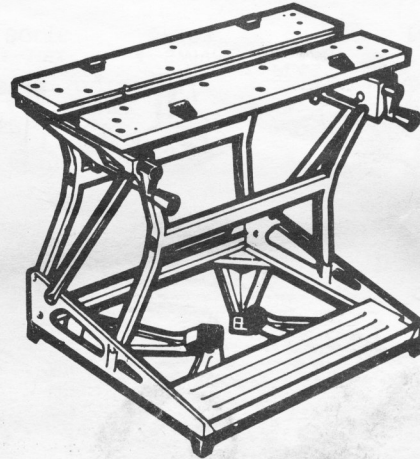
Black & Decker®

WORKMATE®

PORTABLE WORK CENTER & VISE
DUAL 29" MODEL NO. 79-001



WORK BENCH HEIGHT
31-3/8"



SAWHORSE HEIGHT
22-3/4"

Your new WORKMATE® Work Center is a quality piece of equipment that has been carefully designed and manufactured to provide years of dependable service. This instruction manual will familiarize you with the Work Center. It lists important facts and features which describe the Work Center's construction and basic working techniques. Complete set-up instructions and various situations are also provided. Read this manual carefully. Only by being totally aware of what the Work Center can do will you be able to put it to the numerous tasks that it is capable of performing.

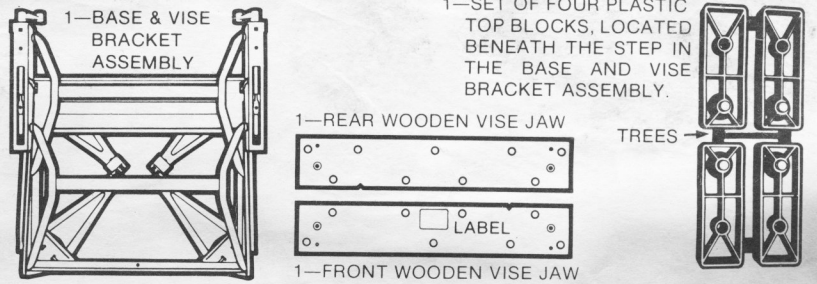
SAFETY RULES

1. Do not load with more than 350 pounds.
2. Do not apply an unbalanced load which could cause the Work Centre to tip over.
3. Do not use the Work Center as a step-ladder or standing platform. Do not use the lower platform as a step when the work center is in "Workbench" position.
4. Do not store Work Center outdoors or in a damp location.
5. Avoid applying excessive force when clamping with the swivel grips.
6. Be sure that the legs are fully open and be sure that the table locks in the sawhorse position.
7. When using a power tool with the Work Center, follow the safety rules in the tool's Owner's Manual.
8. Always wear safety glasses when operating power tools.
9. See "Using Power Equipment" in this manual for correct method of securing power tools in the Work Center. Never mount power tools directly in vise jaws; pressure may damage tools.
10. An even pressure of the vise jaws on the work piece is essential. Tighten both vise jaws uniformly.
11. When assembling your Work Center, use only the Special Plastic Wrench provided. Use of other wrenches or sockets can damage your Work Center.

WORKMATE® PORTABLE WORK CENTER & VISE MODEL 79-001 CONTENTS

The 79-001 Dual Height Work Center and Vise comes partially assembled. A slot screwdriver is required for assembly.

Please check the contents of your carton and compare with figure 1.



THE PLASTIC PARTS BAG CONTAINS THE FOLLOWING:

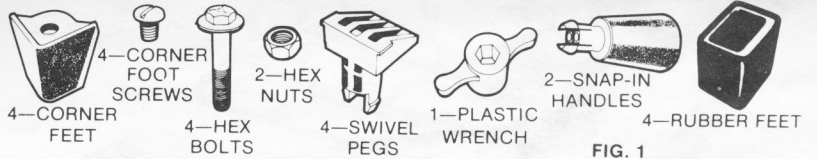


FIG. 1

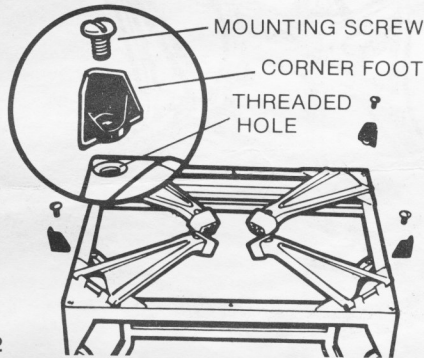


FIG. 2

Black & Decker Workmate Portable Work Centre & Vise covered by one or more of the following U.S. patents: 3,615,087; 3,841,619; 4,034,684; 4,076,229; 4,127,260; 4,140,309; 4,154,435; 4,155,386; 4,157,174; 4,159,821; 4,169,606; 230,801; D250,079; 4,243,212; 243,820; 4,248,411; 4,265,436; Pat. Ped. Corresponding Patents in other countries.

ASSEMBLY INSTRUCTIONS

Assemble the four (4) corner feet using the mounting screws provided as shown in Figure 2.

Place the base and vise bracket assembly on the floor as shown in Figure 2. Extend base legs and push the rubber feet onto the legs with the thick section towards the outside as shown in Figure 3. If necessary, a light tap with a hammer will seat the rubber foot.



FIG. 3

Place the base and vise bracket assembly on the floor as illustrated in Figure 4. Press the two black release buttons located on either side and lift the unit until it locks into position.

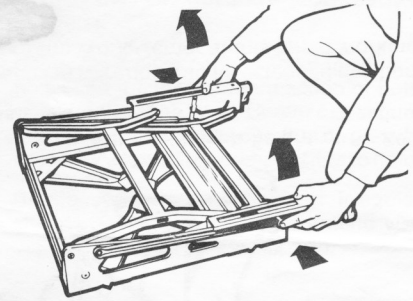


FIG. 4

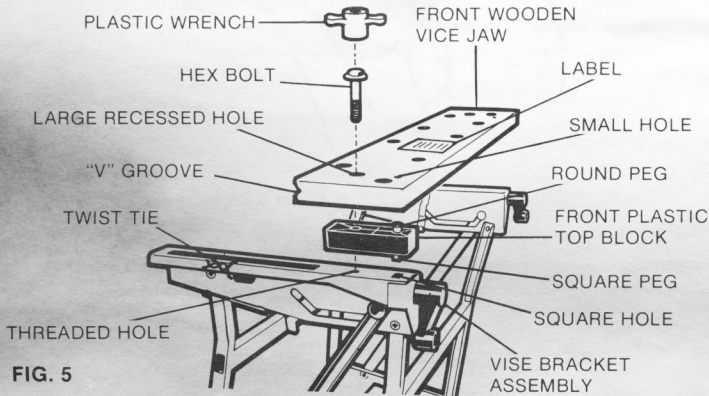


FIG. 5

With a sharp knife cut the four plastic top blocks away from the 'trees' that connect them. Place the front top blocks in position on the left and right vise brackets, open side up, with the square peg in the square vise bracket hole as shown in Figure 5. The front top block has a round peg protruding from the top and a square peg from the bottom of it.

Place the front wooden vise jaw with the label upward and the "V"-groove rearward on the front top blocks. The upper round peg on the top block fits into the small hole at the front of the wooden vise jaw. The recessed hole at the rear of the front vise jaw and the hole in the front top block sit above the threaded hole in the vise bracket.

Fasten the front wooden vise jaw to the vise brackets using the hex bolts and the plastic wrench.

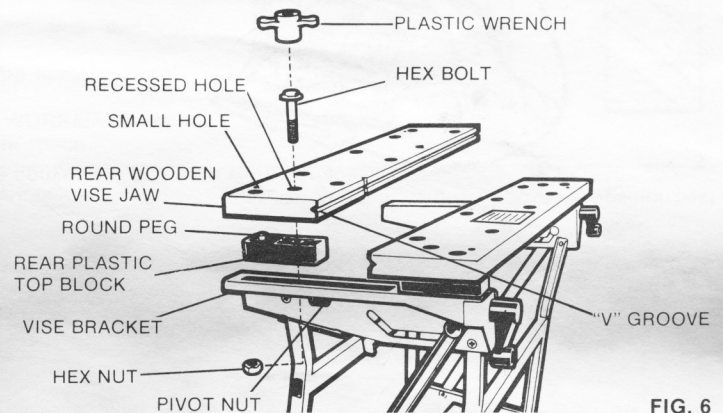


FIG. 6

Press the round pegs of the rear top blocks into the small holes on the underside of the rear wooden vise jaw as illustrated in Figure 6.

After removing the wire twist ties from the pivot nuts, align the holes in the rear top blocks with the recessed holes in the rear wooden vise jaw and with the holes in the pivot nuts.

Place the hex bolts through the vise jaw, top blocks and pivot nuts then fasten together with the hex nuts and plastic wrench.

NOTE: Bolts should be tightened by hand with the plastic wrench only, as tightly as possible. Be sure that the hex nut is properly seated in the pivot nut hex recess.

Push snap-in handle into handle arms on vise bracket assembly as illustrated in Figure 7.

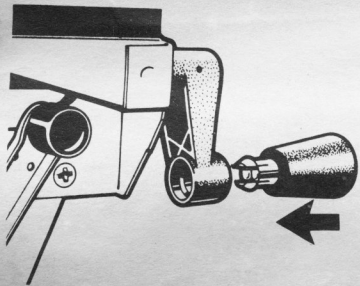
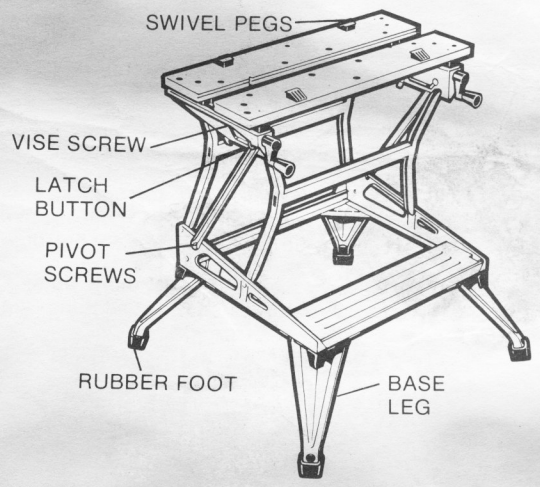


FIG. 7

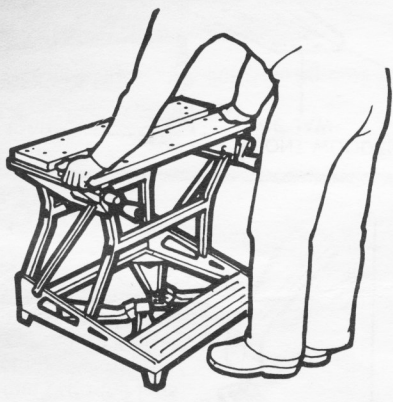
Maintenance Tips

1. Pivot screws are of low friction design. No lubrication is necessary.
2. If binding of vise jaw occurs, cleaning or lubrication of slider and vise screw may be required.
3. Pivot screws should be checked for tightness.



SETTING UP WORKMATE PORTABLE WORK CENTER AND VISE

The Work Center sets up easily into two working heights: the lower "sawhorse" height and the upper "workbench" height. Choose the position best suited to your particular job. In each case, the Work Center provides a convenient and rigid work surface.



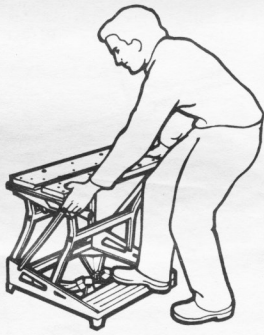
This is the lower "sawhorse" height, measuring 22-3/4" high. Be sure the Work Center locks into position.



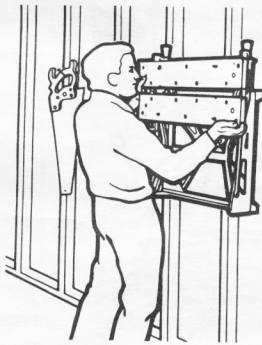
To raise the Work Center to its full workbench height of 31-3/8" extend the 4 base legs as shown.

Always make sure that each leg is swung into its extended position. This will ensure safe use of the Work Center at this upper working height.

How to store your WORKMATE® portable work center and vise



1. Store swivel pegs upside down in table top until next application.
2. Fold in all four base legs
3. Place one foot on step.
4. Using index fingers, simultaneously

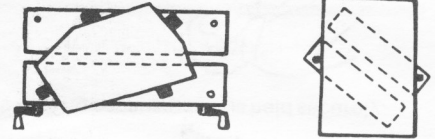


5. Close unit and clamp in locked position.
6. You can now store WORKMATE conveniently in minimum space.

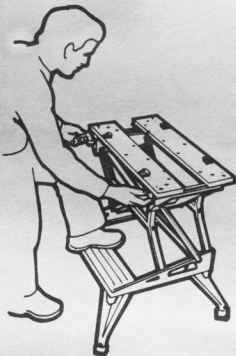
Holding Irregular Shapes with WORKMATE® portable work center and vise

Using the swivel pegs in the appropriate holes and the independent action of both vise handles, The Work Center can secure the most irregular shapes. Lets you grip objects that used to be impossible to hold.

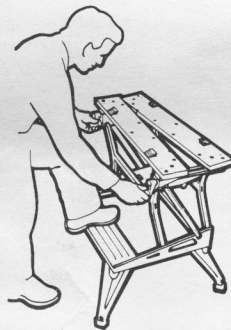
Rotate swivel pegs to accept irregular shapes. Outside swivel pegs extend vise capacity for a 21" diagonal grip.



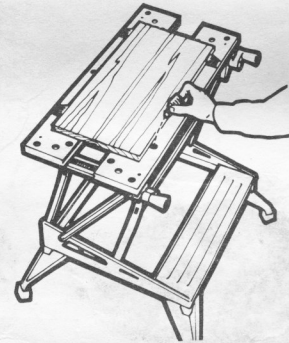
Working with your WORKMATE® portable work center and vise



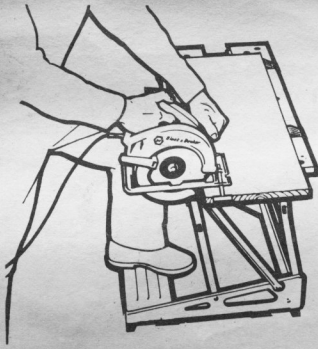
The Work Center is a vise, sawhorse and workbench all in one. Its basic design and special features help you to perform a complete range of workshop tasks from the simplest to the most complicated.



The heart of The Work Center is in the action of the two parallel vise jaws. The two vise handles adjust the jaws to a maximum of 5-1/4" jaw opening. Because each handle works independently, the opening can be tapered from 0" to 5-1/4" maximum.

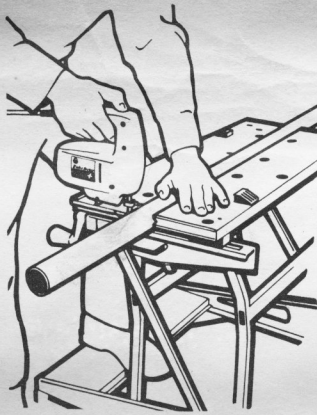


Use of the swivel pegs in the appropriate vise holes extends the vise capacity of The Work Center up to 12" wide, or up to 21" when objects are held diagonally.

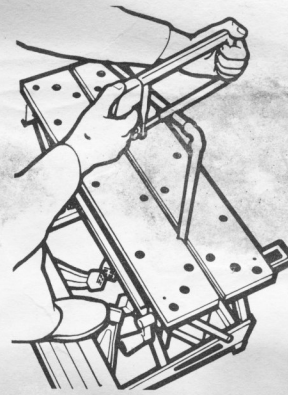


SAWING in its lower position; The Work Center is a sawhorse.

Holds material securely.



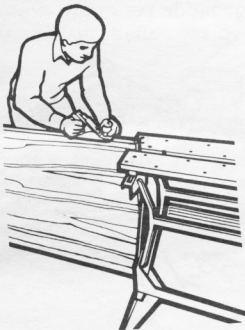
Sawing tubular pieces is easy when they are held horizontally in the specially designed V-grooves running along the face of the vise jaws.



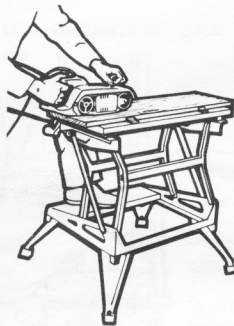
Vertical V-grooves in the face of the vise jaws permit rigid vertical grasping of tubular objects.

PLANING, SANDING, ROUTING

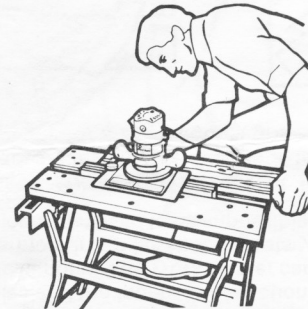
WORKMATE® Portable Work Center and Vise permits you to do a better job when planing, sanding, and routing because work is held securely.



Holds material at perfect height and position. Strength and stability to handle large and awkward sizes and shapes.



Power sand the most irregular shapes. Swivel pegs hold material securely.



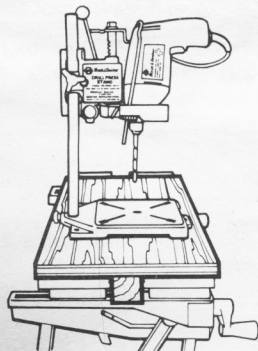
Special tasks won't mean special problems any more. Routing can be easy and the results more professional.

Using power equipment with WORKMATE® portable work center and vise

Construct individual mounting boards for your power tools to save workbench space. Makes your power tools completely portable when placed in The Work Center.

Caution:

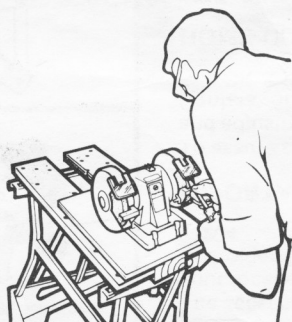
1. Securely mount tool accessories to mounting board with screws or bolts.
2. Always wear safety glasses when using power tools with The Work Center.



The block of wood on the underside of the mounting board is held in the jaws of The Work Center. The power tool is secure for use.

Power Tool Mounting Board

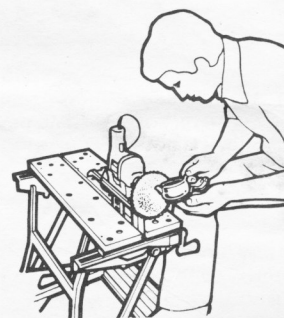
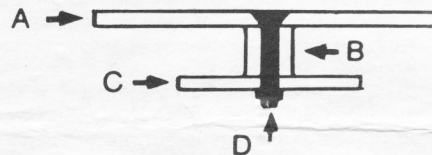
1. Attachments such as Black and Decker Vertical Drill Stand and the Horizontal Drill Stand may be attached with screws to a suitable sized piece of plywood, to the underside of which a block of wood is attached. The block, when gripped securely in the Work Center vise jaws, provides rigidity for the operation of the tools in the attachments.



Add power tools you thought you never had room for. Securely holds even the larger tools.

Suggested Sizes

- A. Mounting Board 12" x 12" x 3/8"
- B. Vise Block 2" x 4" x 6"
- C. Retaining Board 3" x 3" x 1/4"
- D. Bolt 5"



You'll want to use all of your power tool accessories more often. For instance, buffing. It's easier and more convenient with The WORKMATE® Work Center.

General Purpose Table

- Suggested Sizes:
- 2' x 6' x 1/4" plywood
 - 2" x 4" stud, 30" long
 - 4 bolts 5" long



Caution:

1. Do not use nails or screws. Use bolts.
2. Center table top over center of vise jaws.

1. When the project calls for extra work space, you can make a work table by attaching a block of wood to the underside of a piece of plywood. Makes an extra long table surface for a work or play occasion. Center table over center of vise jaws.

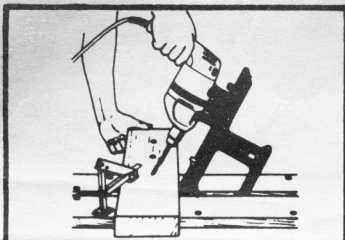




WORKMATE® Attachments
(Available at Extra Cost)

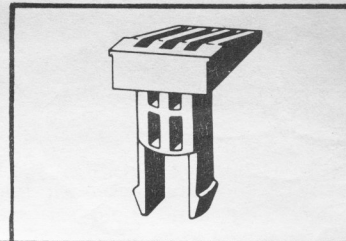
Cat. No. 79-015 WORKMATE® Drill Guide

Holds Black & Decker and most other drills securely for vertical or 0° to 90° angular drilling. Use freehand for accurate angles, or horizontally in WORKMATE® to hold drill for buffing, sanding jobs.



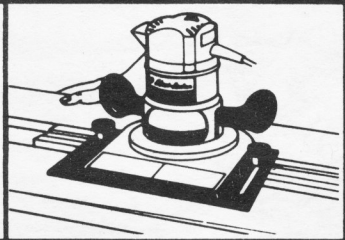
Cat. No. 79-010 Swivel Pegs

Packaged in pairs. Ideal for holding large and irregular shaped objects.



Cat. No. 79-013 Type 2 WORKMATE® Router & Shape Guide

Professional router cuts made easy. Holds Black & Decker and other popular routers securely on WORKMATE® Portable Work Center table top. Gives solid "hands off" support for all types of router cuts.



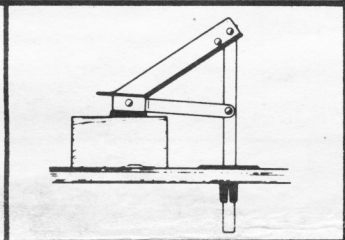
The accessories listed in this manual are available at extra cost from your local dealer, Black & Decker Service Center, or by writing to: Customer Services, Black & Decker (U.S.) Inc., Towson, Maryland 21204

IMPORTANT

To assure product SAFETY and RELIABILITY repairs, maintenance and adjustment should be performed by BLACK & DECKER Service Centers or other qualified service organizations, always using BLACK & DECKER replacement parts.

Cat. No. 79-016 WORKMATE® Clamps (Pkg. of two)

Specially designed clamp assembly to hold items on a Work Center Vise Jaw for glueing, routing, sanding, sawing, etc.



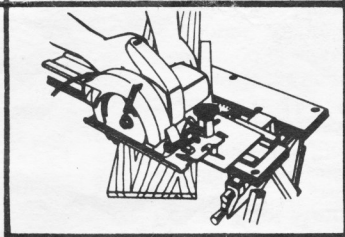
HOME USE WARRANTY

(A Full One Year Warranty)

Black & Decker warrants this product for one year. We will repair, without charge, any defect due to faulty material or workmanship, or at our option, replace the product free. Please return the complete unit, transportation prepaid, to any Black & Decker Service Center or Authorized Service Station listed under "Tools Electric" in the yellow pages. This warranty does not apply to accessories. This warranty gives you specific legal rights and you may have other rights which vary from state to state. Should you have any questions, contact your nearest Black & Decker Service Center Manager.

Cat. No. 79-012 WORKMATE® Saw & Mitre Guide

Clamps into WORKMATE® Work Center to hold material down securely for accurate mitre and compound mitre cuts, accepts most popular makes of 7-1/4" Circular Saws and is ideal for cutting rafters, floor joists, studs, window baseboard and decorative trim.



**BLACK AND DECKER (US) INC.,
CONSUMER PRODUCTS DIVISION,
515 GLEBE ROAD, EASTON, MARYLAND 21601**